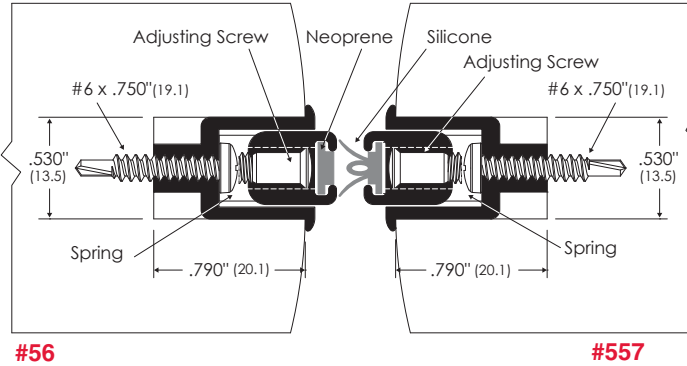


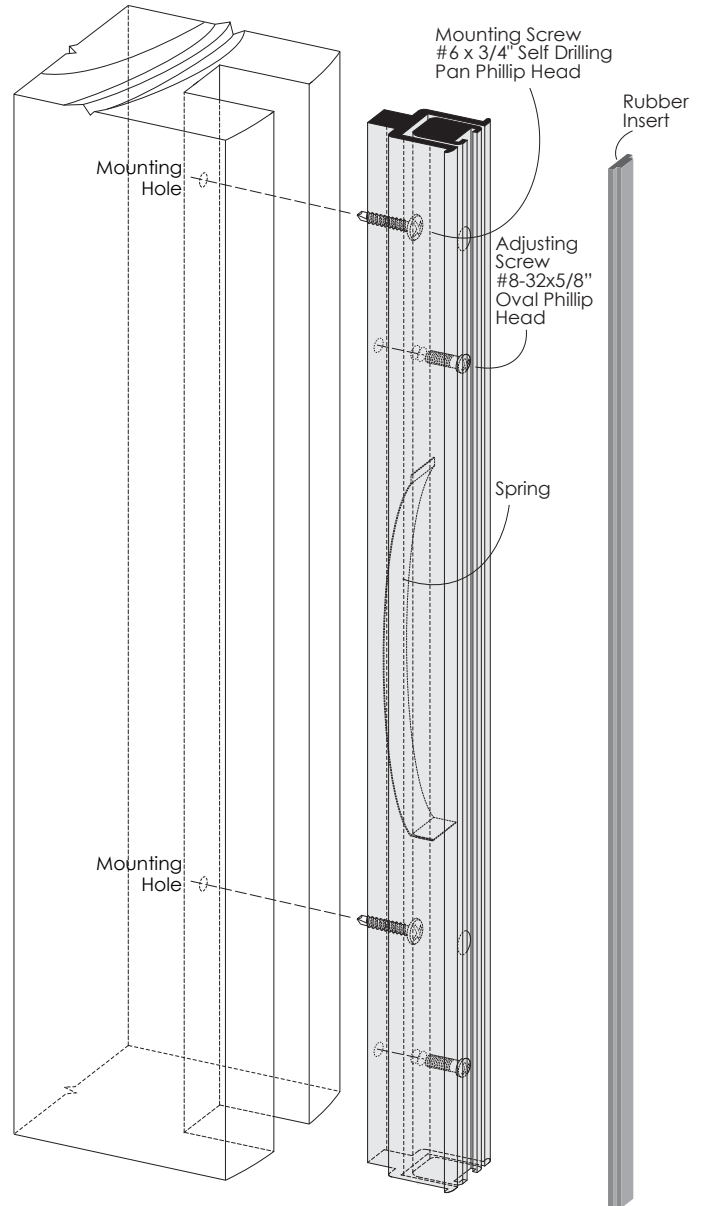
#56/ #557 Adjustable Mortised Astragal INSTALLATION INSTRUCTIONS

Adjustable Mortised Astragal



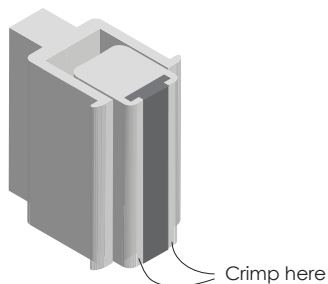
#56

#557



PART# 56 shown

- 1 Mortise doors, dimension as shown above. The gap between the doors when they are closed should be a minimum .312" (7.9mm).
- 2 Measure and cut the whole piece to size needed. DO NOT DISASSEMBLE either piece.
- 3 Remove ONLY the neoprene insert from #56 piece, and silicone insert from #557 piece.
- 4 Install the astragal into the door mortise, fasten with self drilling screws provided.
- 5 Turn adjusting screws for proper alignment and optimal seal.
- 6 Re-install neoprene/silicone inserts.
- 7 For best results crimp bottom of inserts.



Customer Service

1-877-671-7011

www.allegion.com/us

