

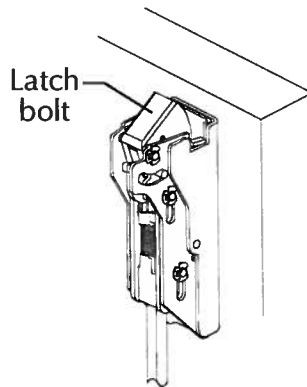
10 Install and adjust top rod.

Install

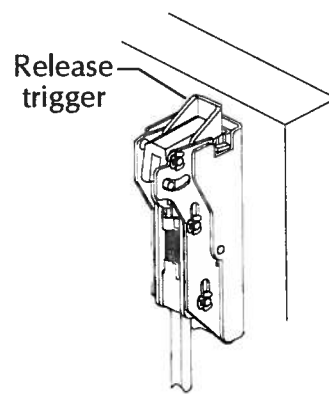


Adjust (screw rod into or out of latch)

With door closed:
Latch bolt fully extended
and deadlatched
(will not push in)

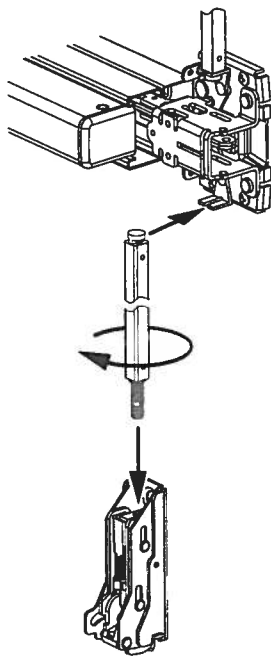


With door open:
Latch bolt flush with
or slightly below latch case
and release trigger extended



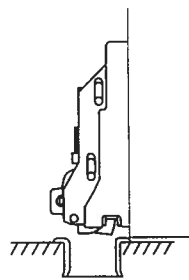
11 Install and adjust bottom rod.

Install (with door open)

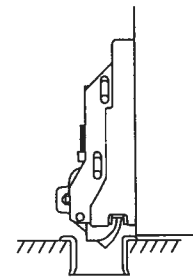


Adjust (screw rod into or out of latch)

With door open:
Latch bolt clears floor
and does not bind on strike



With door closed:
Latch bolt fully extended
and deadlatched
(will not push in)



304L strike

248L-4 strike

