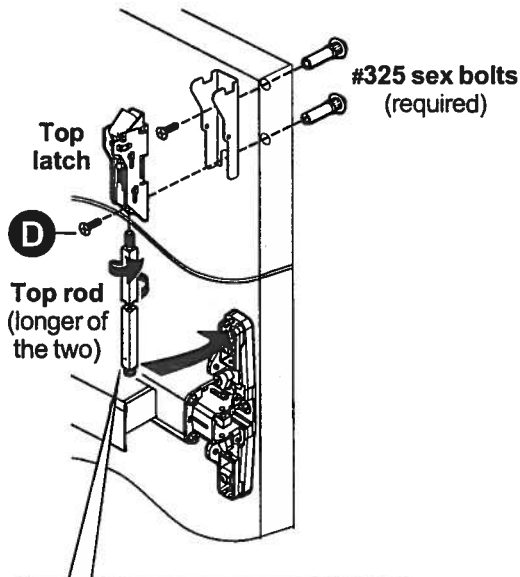


# 7

## Install top latch and rod.



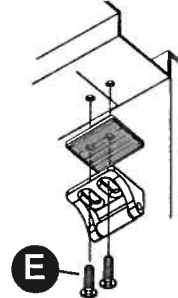
If top rod is too long, see "Cut top rod" on page 7

If top rod is too short, see "Install rod extension" on page 7

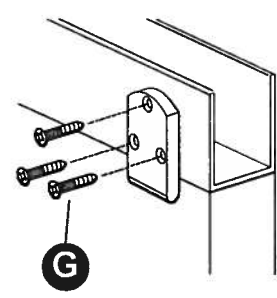
# 8

## Install top strike.

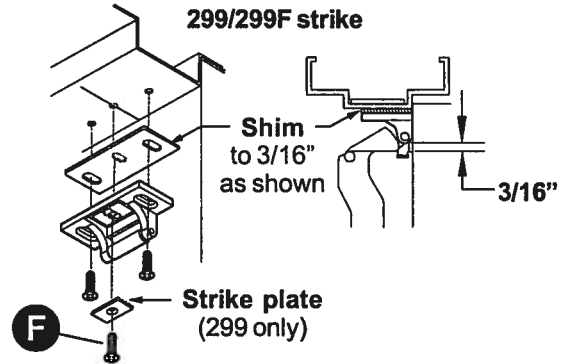
**265 strike**  
For panic device application only



**260U strike**  
For panic device application only



**299/299F strike**

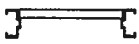


# 9

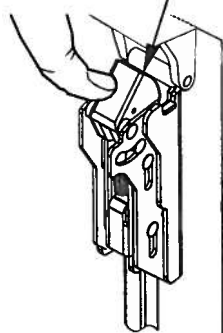
## Adjust top rod until latch bolt acts as shown.

Adjust rod by threading rod into latch clockwise to shorten, or and counterclockwise to lengthen.

**With door closed:**



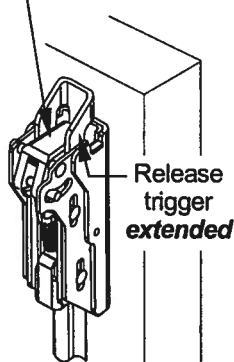
Latch bolt **deadlocked**  
(will not push in)



**With door open:**



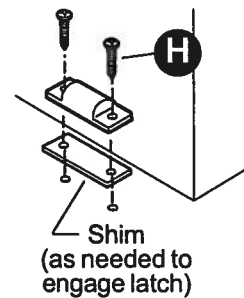
Latch bolt stays **retracted**



# 10

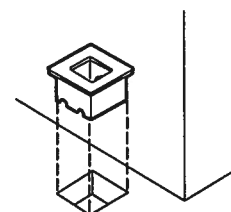
## Install bottom strike, latch, and rod.

**248L-4 strike**



Use 248L-4 strike for panic device application only. Use 304L for fire doors

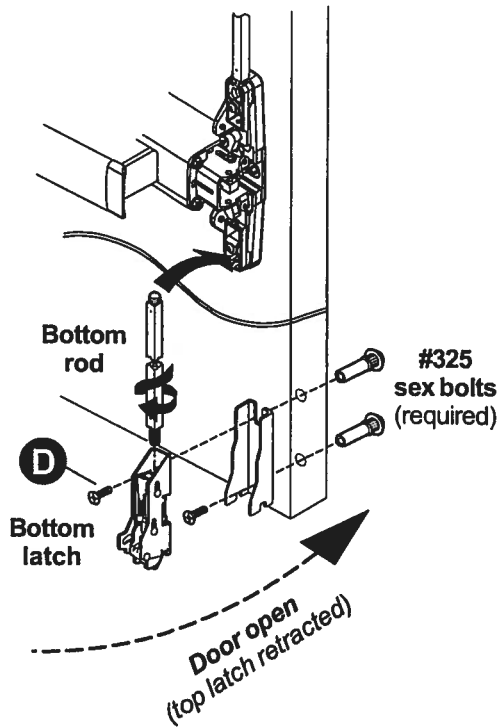
**304L strike**



Grout strike into floor

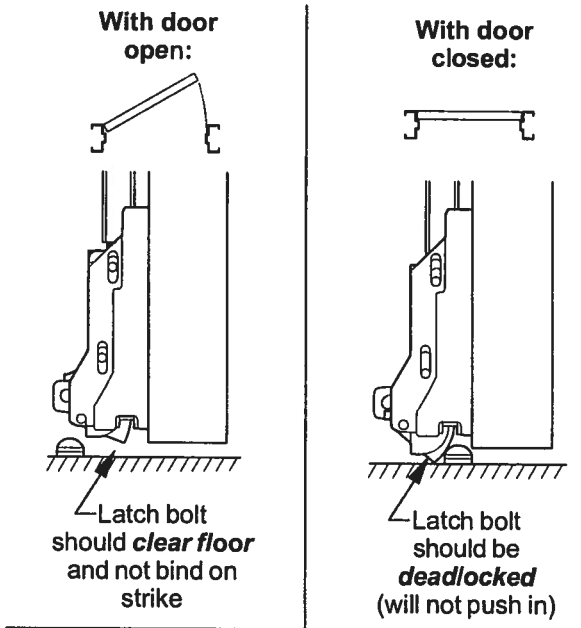
# 11

## Install bottom rod.



# 12

## Adjust bottom rod with door open (top latch retracted).

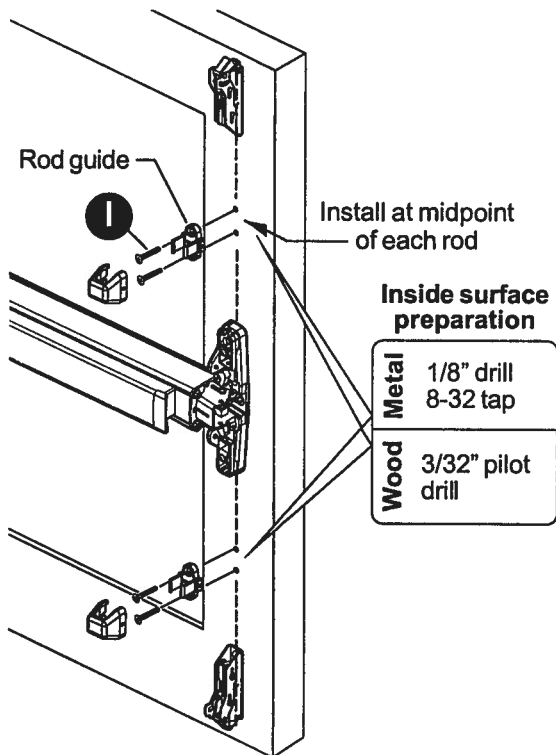


Open and close door a few times and check for deadlocking when door is closed

Readjust rods if needed

# 13

## Install rod guides.



# 14

## Install covers and end cap.

