

ADJUST RODS

1. Open door and release top latch bolt as shown (Figure 1).

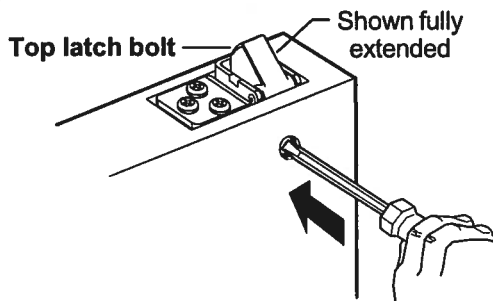


Figure 1

2. Remove bottom locking screw and retaining clip (Figure 2).

3. Disconnect bottom vertical rod by removing bottom adjusting screw.

4. Loosen top locking screw.

5. Rotate top adjusting screw clockwise until top latch bolt is fully extended (Figure 1).

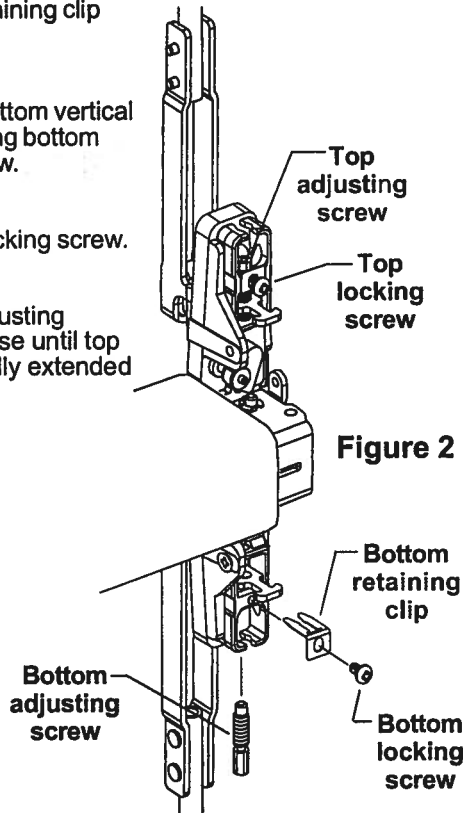
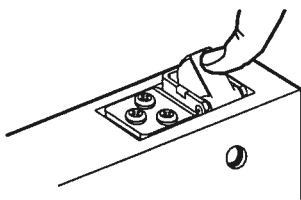


Figure 2

6. Check top latch bolt for deadlocking (latch bolt should not push in).



7. Turn top locking screw in against flat on adjusting screw. Do not over-tighten.

8. Depress pushbar and release.

9. Make sure top latch bolt stays retracted as shown.

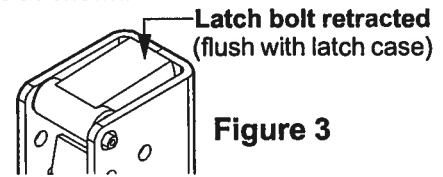


Figure 3

10. Install bottom adjusting screw through bottom rod and install bottom retaining clip and locking screw (Figure 2).

11. With top latch bolt still retracted, adjust bottom rod so latch bolt clears floor and bottom strike.

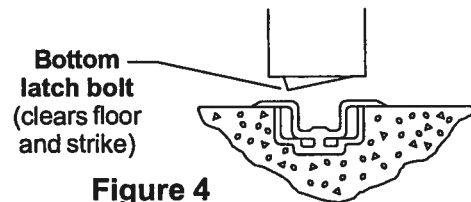


Figure 4

12. Close door and check bottom latch bolt for dead locking.

13. After bottom rod is fully adjusted per steps 11 and 12, turn bottom locking screw in against flat on adjusting screw. Do not over-tighten.

14. Check device operation by opening and closing door several times from the outside.

Redo adjustment procedure if :

- Top latchbolt is not held retracted
- Bottom latchbolt does not clear floor and bottom strike

15. Install end cap and center case covers.

