



P509-464

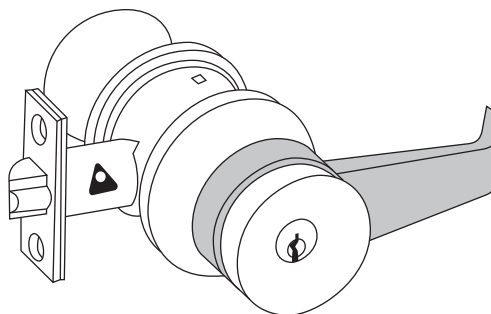


HOW TO INSTALL THE 04-032 RETROFIT LEVER



04-032 RETROFIT LEVER for "D" series locksets* with Orbit, Plymouth or Tulip design knobs.

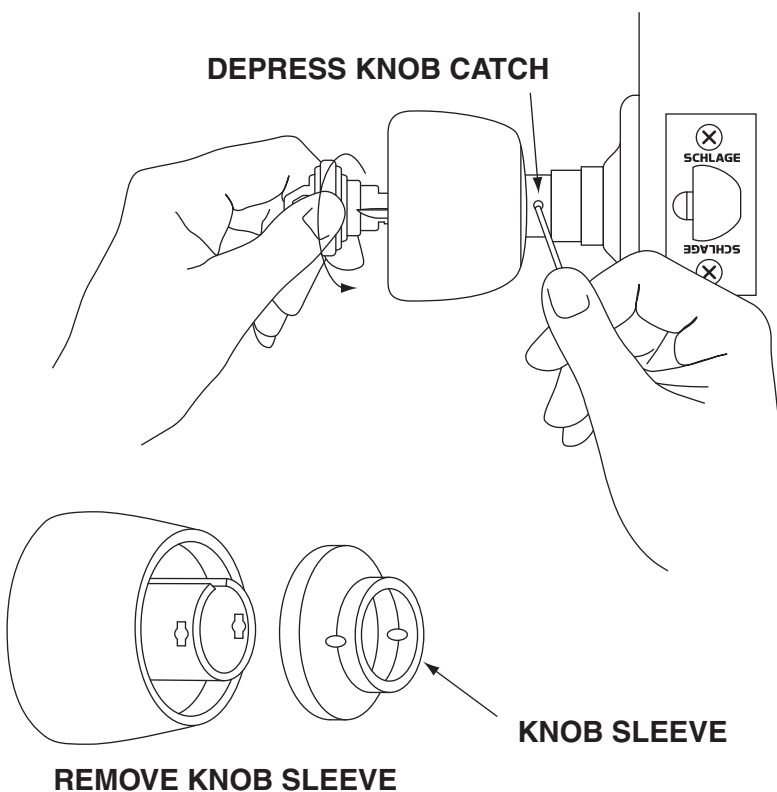
*Not for use with interchangeable core knob designs.



1. REMOVE KNOB

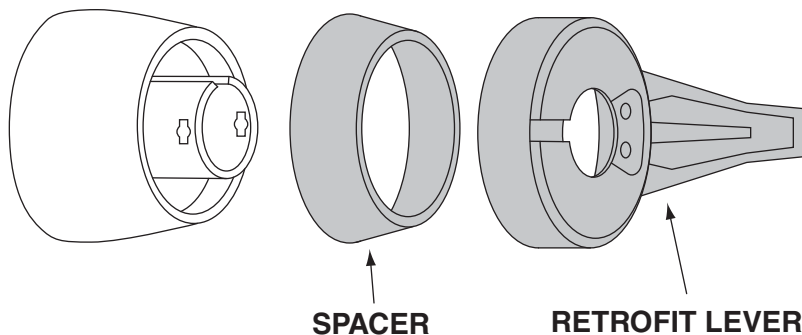
To remove existing knob from lock unit insert pointed end of spanner wrench, or small nail, into hole in outside knob sleeve. Exert pressure and turn key slowly until knob catch depresses. Pull off knob.

Remove knob sleeve. (Sleeve is not used with retrofit lever.)



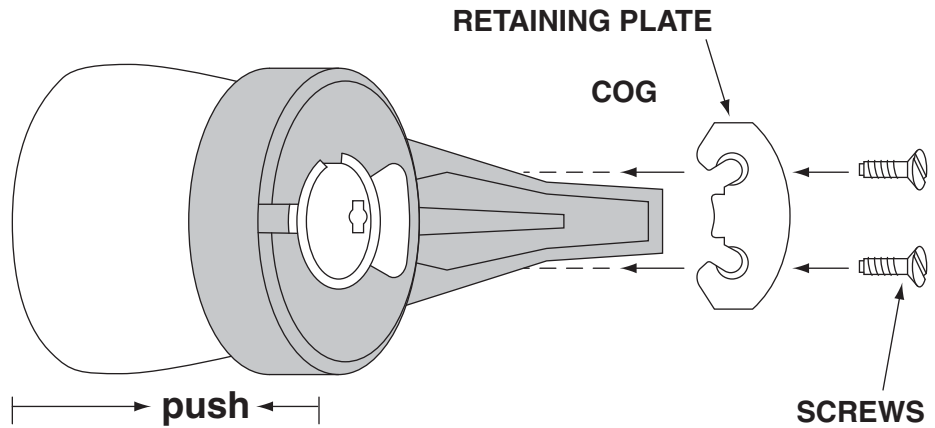
2. LEVER/KNOB INSTALLATION

Place lever in position onto back of knob (TULIP design requires spacer (provided) inserted into cup of lever.) Position lever on knob so that end of lever will point toward hinge side of door when knob is reinstalled.



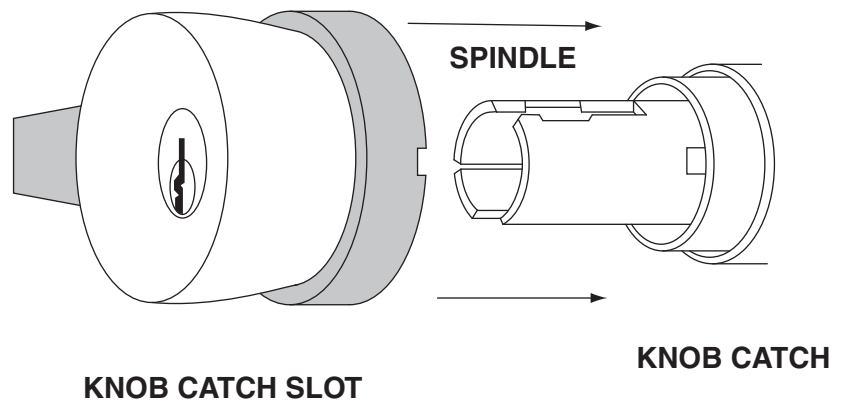
3. ASSEMBLE LEVER/KNOB

Insert lever retaining plate cog into knob-catch slot on the knob shank. Snap retainer plate into place. Complete installation of retainer plate with provided screws. Screw down completely so that screws are flush with retainer plate.



4. REPLACE KNOB/LEVER

Slide the assembled retrofit lever & knob on spindle. Depress knob catch, exert pressure, turn key slowly and push lever assembly into position. Pull knob to test fastening of catch. Test lock for operation.



LINE UP LUG IN KNOB SHANK WITH SLOT IN SPINDLE.

For additional information see Service Manual 50-100.