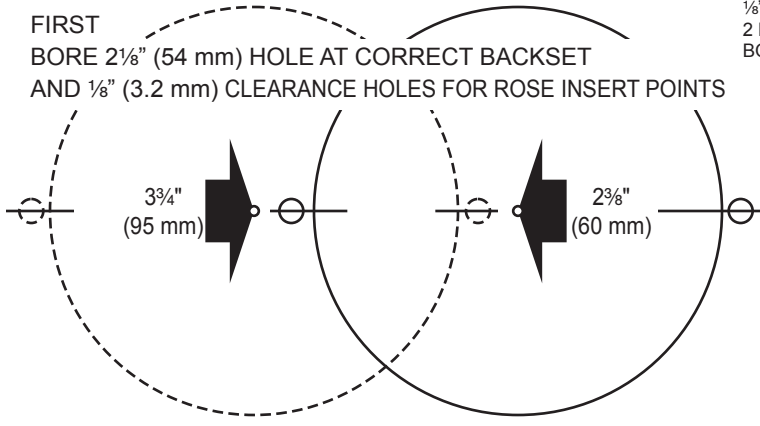


# TEMPLATE FOR S AND X SERIES

FIRST BORE 2 1/8" (54 mm) HOLE AT CORRECT BACKSET AND 1/8" (3.2 mm) CLEARANCE HOLES FOR ROSE INSERT POINTS

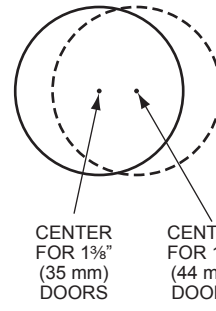


1/8" DIA (3.2 mm)  
2 HOLES 1/8" DEEP  
BOTH SIDES OF DOOR

SECOND BORE LATCH HOLE PARALLEL TO SIDES. 7/8" (22mm) FOR 2 3/8" BACKSET 1" (25mm) FOR 2 3/4" OR LONGER BACKSET

DISTANCE FROM EDGE OF DOOR (BACKSET)

FOLD ALONG EDGE OF DOOR



CENTER FOR 1 3/8" (35 mm) DOORS

CENTER FOR 1 1/4" (44 mm) DOORS

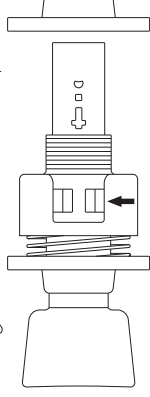
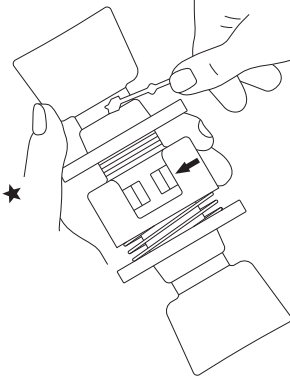
RECOMMENDED TEMPLATE INSTRUCTIONS MUST BE FOLLOWED TO ASSURE PROPER FUNCTIONING.

Remove template from instructions.

4

## REMOVE INSIDE TRIM

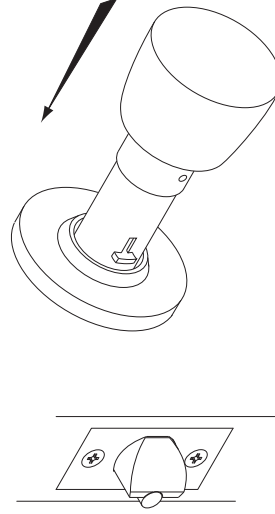
Depress knob catch to remove knob.



Remove rose by unscrewing collar  
★ If Cylinder knob, see reverse side.

8

## INSTALL KNOB

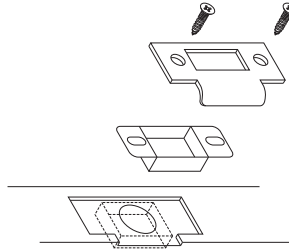
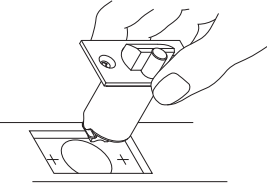


Place knob on spindle, slide to knob catch, depress knob catch and push knob until catch engages slot in knob.  
★ If cylinder knob, see reverse side.

3

## INSTALL LATCH AND STRIKE

Install latch. Be sure beveled side of latch bolt is facing the door frame.

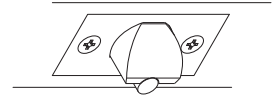
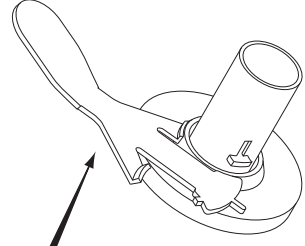


If dust box is to be used, clear area with wood chisel.

7

## SECURE LOCK TO DOOR

Replace inside rose and collar and using spanner wrench turn collar clockwise and tighten firmly.



2

## BORE 3 HOLES

A. Bore side hole from both sides of door.

B. Bore latch hole.

Use strike locating tool or other pointed object to locate position for hole in jamb.

C. Bore jamb.

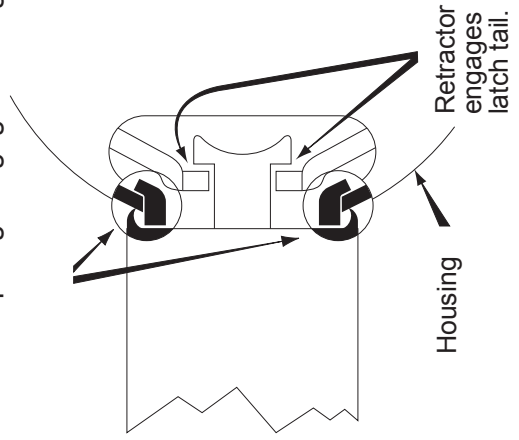


NOTE: A minimum 3/4" deep hole must be bored in frame behind opening in strike for proper function of latch bolt. Outline latch face and strike as illustrated and chisel out to proper depth.

6

## ENGAGE LOCK WITH LATCH

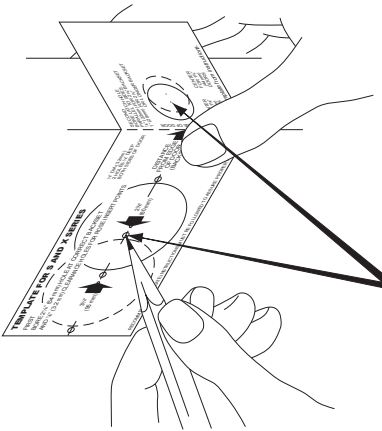
Both latch prongs engage housing.



1

## MARK DOOR

Recommended template instructions must be followed to assure proper functioning. (See attached template).

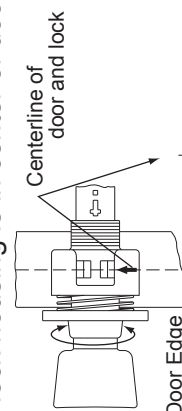


Mark centers for latch hole, side hole and rose insert points on both sides of door.

5

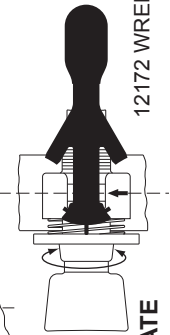
## ADJUST FOR DOOR THICKNESS

Hold lock against edge of door. Adjust outer rose collar so door center mark on lock housing is in center of door.



Door Edge

Centerline of door and lock

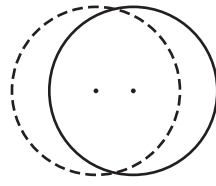


12172 WRENCH

## ALTERNATE METHOD

Wrench can be used to adjust lock for door thickness by holding tip of wrench against rose insert and turning rose collar until desired arrow on wrench lines up with arrow on lock case.

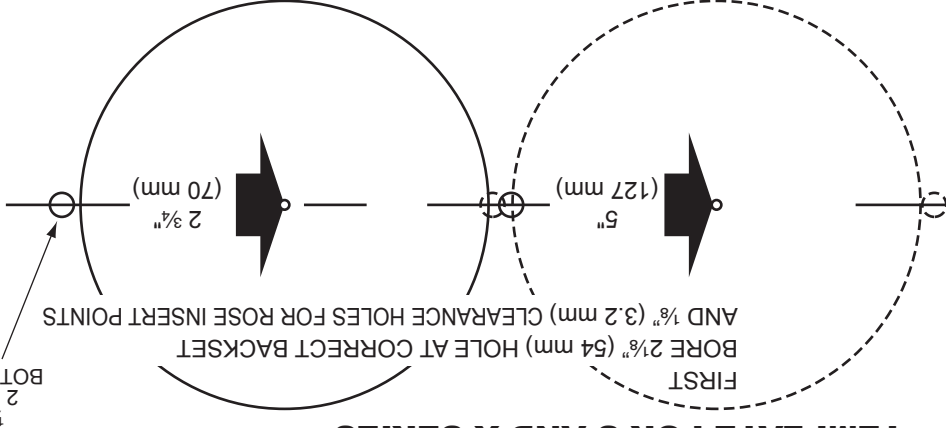
SECOND BORE LATCH HOLE IN CENTER OF DOOR PARALLEL TO SIDES. 1" (25 mm) FOR 2 3/4" OR LONGER BACKSET. CENTER FOR 1 3/4" DOORS. CENTER FOR 1 3/4" (35 mm) DOORS. CENTER FOR 1 3/4" (44 mm) DOORS.



FOLD ALONG EDGE OF DOOR

1/2" DIA (3.2 mm) 2 HOLES 1/8" DEEP BOTH SIDES OF DOOR

DISTANCE FROM EDGE OF DOOR (BACKSET)

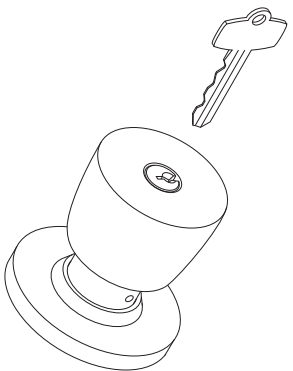


**TEMPLATE FOR S AND X SERIES**

RECOMMENDED TEMPLATE INSTRUCTIONS MUST BE FOLLOWED TO ASSURE PROPER FUNCTIONING.

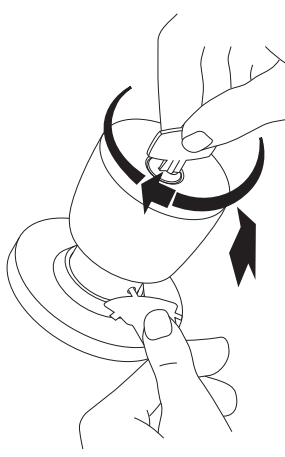
**INSTRUCTIONS FOR REMOVAL OF AND REASSEMBLY OF CYLINDER KNOB**

Cylinder knob should be installed as shown. (key notches up)



If necessary to change hand of lock so that cylinder will be right side up, use the following instructions:

**TO REMOVE CYLINDER KNOB**



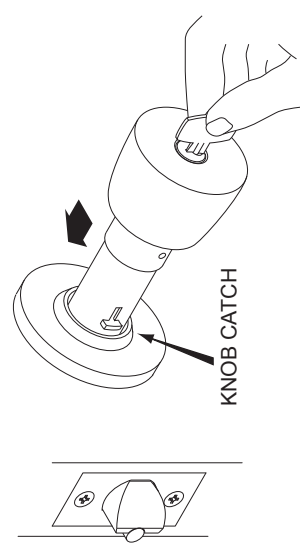
Assembly not installed in door: Rotate key 1/4 turn clockwise, depress knob catch and pull off knob. Rotate housing 180° and reinstall cylinder knob.

Assembly installed in door: Rotate key 1/4 turn clockwise, depress knob catch and pull off knob. Rotate knob 180° and reinstall cylinder knob.

**HOW TO INSTALL S SERIES AND X SERIES FALCON LOCKS**

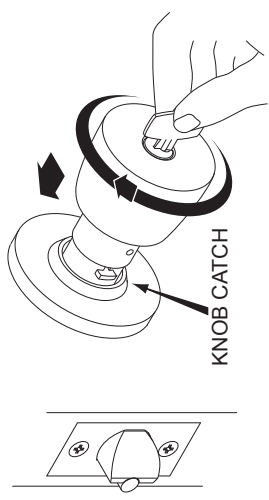
**TO INSTALL CYLINDER KNOB**

**STEP ONE**



With key in cylinder, align hole in knob cap with knob catch and slip knob over spindle up to knob catch.

**STEP TWO**



With knob against knob catch, and cylinder tailpiece engaged with key spindle, hold knob, rotate key 1/4 turn clockwise. Depress knob catch and push knob until catch engages slot in knob.

**FALCON®**

