



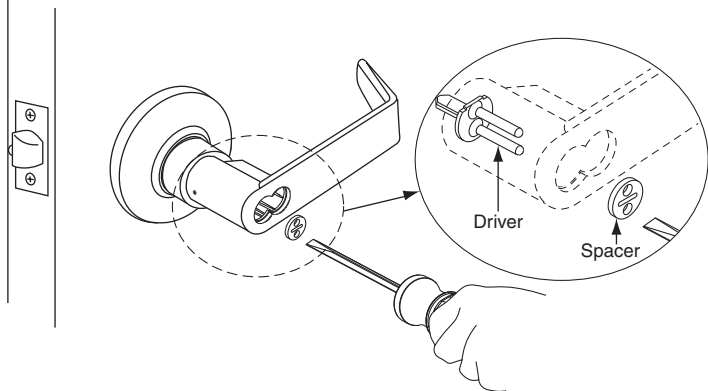
P513-860

AL-Series SFIC Spacers

Install SPACER(s)

- If needed, remove core with control key.
- Loosely place one spacer on tip of flat-head screwdriver.
- Use screwdriver to slide spacer through lever and onto driver.
- Repeat until specified number of spacers are in place. (See chart)

		Number of Spacers	
Lock	Lever Design	6-Pin	7-Pin
AL-Series	SAT (Saturn)	2	1

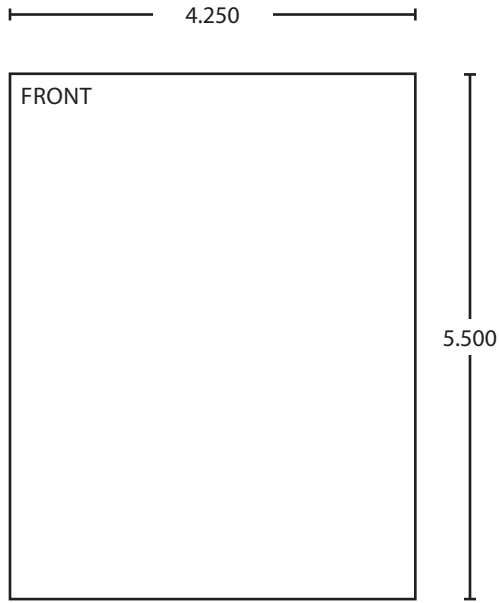


Customer Service

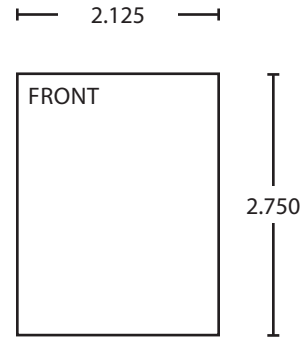
1-877-671-7011

www.allegion.com

© Allegion 2014
Printed in U.S.A.
P513-860 Rev. 01/14-d



BEGINNING SHEET



FOLDED SHEET

Additional Notes:
1. None

Revision History						Revision Description: D > Revised artwork					
A	B	C	D	E	F						
n/a	3394	4765									
Material White Paper						Edited By M. Sasso		Approved By M. Roberts		EC Number 42749	Release Date 01-01-14
Notes 1. printed one side 2. printed black 3. tolerance $\pm .13$ 4. printed in country may vary 5. drawings not to scale						Title Sheet, Instruction, AL-Series SFIC Spacer					
						Creation Date 08-17-04		Number P513-860			Revision D
						Created By R. Lammers		Activity 3899 Hancock Expwy Security, CO 80911		© Allegion 2014	
						Software: InDesign CS6					