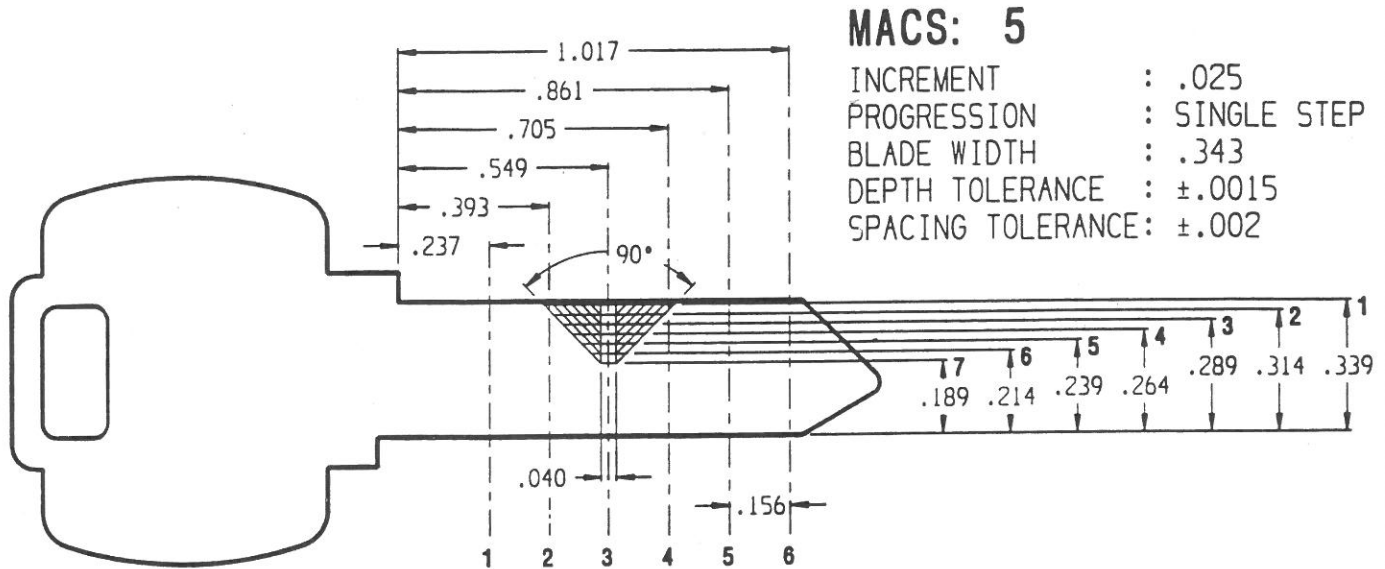


KEY BITTING SPECS AND PIN LENGTHS FALCON - SYSTEM 025

APPLIES ONLY TO THESE KEYWAYS: CP, M, Q

RESTRICTED



CUTS ARE READ AND WRITTEN BOW TO TIP.

PIN LENGTHS AND PART NUMBERS

.509 DIAMETER PLUG		
BOTTOM PINS		PART No.
1	.165	A48553-001-00
2	.190	A48553-002-00
3	.215	A48553-003-00
4	.240	A48553-004-00
5	.265	A48553-005-00
6	.290	A48553-006-00
7	.315	A48553-007-00

MASTER PINS		
		PART No.
1	.025	A48580-001-00
2	.050	A48580-002-00
3	.075	A48580-003-00
4	.100	A48580-004-00
5	.125	A48580-005-00
6	.150	A48580-006-00

STANDARD TUMBLER SPRING

PART No. A08554-000-00

STANDARD TOP PIN .185

PART No. A08552-000-00

NOTE: ALL PINS AND SPRINGS ARE IN PACKAGES OF 100.

NT FALCON LOCK

