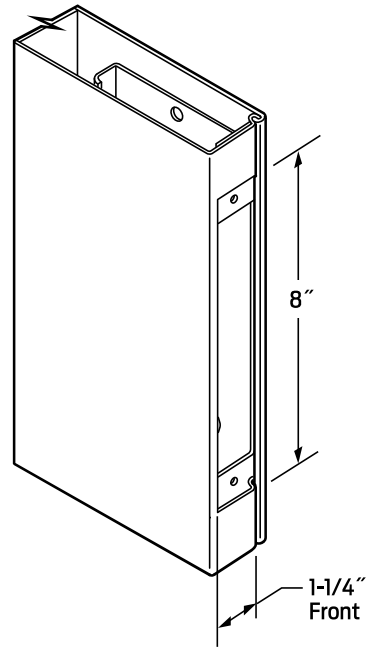
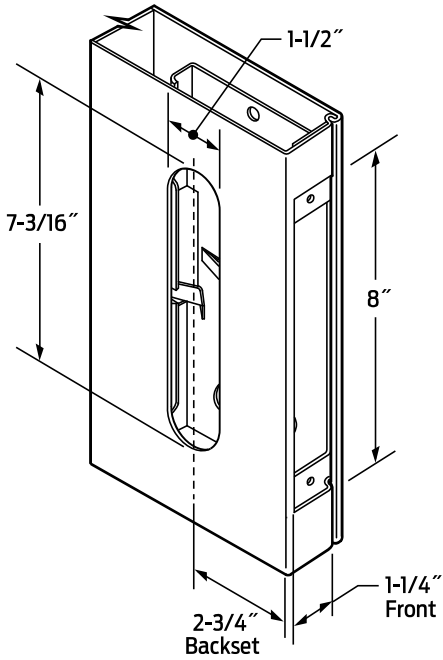


Hardware preparations • Door preps: Locks

86 Lock prep

- For Mortise locksets conforming to ANSI A115.1
- Preparation for full escutcheon trim

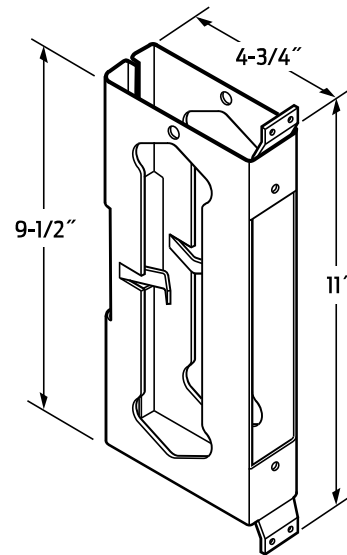


86 for full lock prep options:

- **86-48** = 48" above bottom of frame
- **86-60** = 60" above bottom of frame
- **86-SPL** = special location
- **86R** = with RPD reinforcements
- **86RV** = with VRPD reinforcement

86ED for edge prep only options:

- **86ED-48** = 48" above bottom of frame
- **86ED-60** = 60" above bottom of frame
- **86ED-SPL** = special location
- **86DR** = with RPD reinforcements
- **86EDV** = with VRPD reinforcement



Lock reinforcement detail

- 14 gauge
- Projection welded Format Textor edge
- Extruded and tapped holes for lock front attachment