

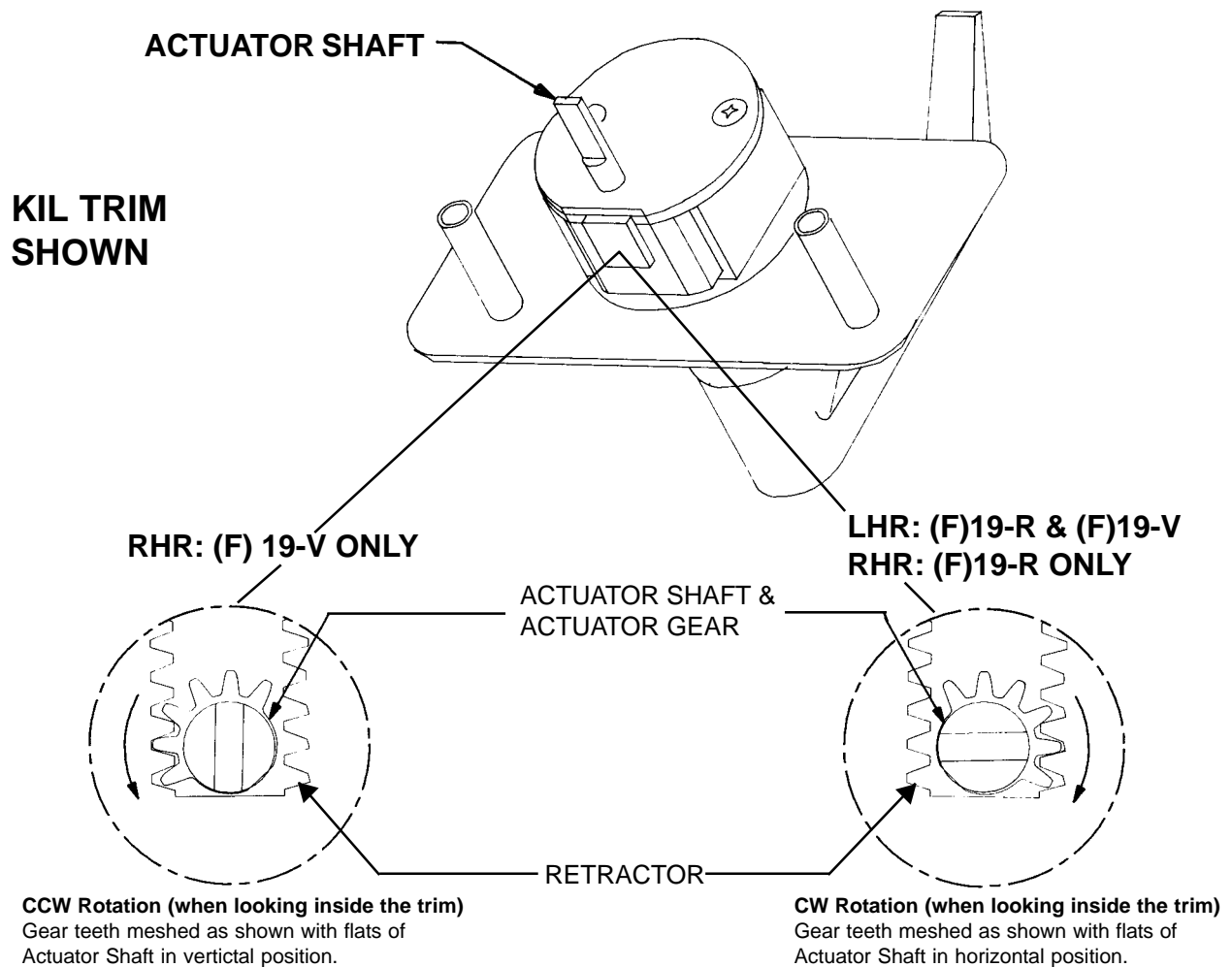
KEY-IN-KNOB (KIK) & KEY-IN-LEVER (KIL) ACTUATOR SHAFT ORIENTATION, RE-KEYING TRIM AND NIGHT LATCH FEATURE INSTRUCTIONS



KIK & KIL TRIM	
DIRECTION #:	D-1108-3
DATE:	3-22-2003

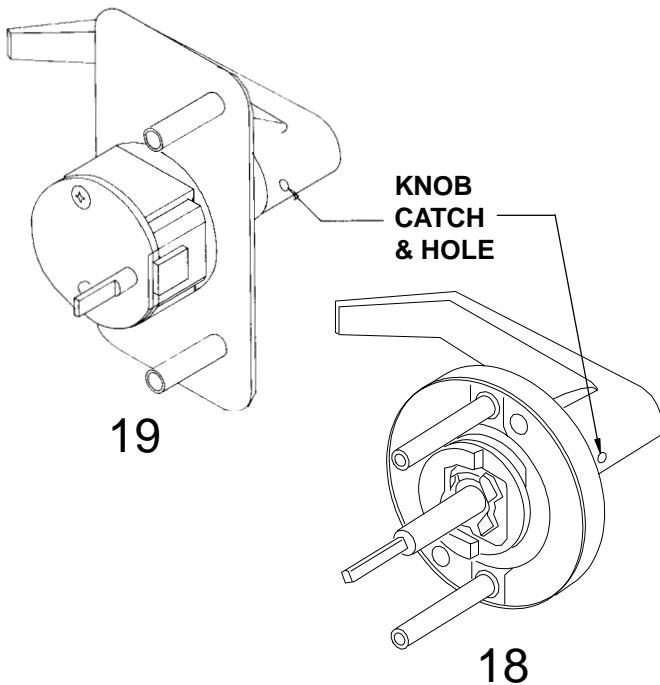
● ACTUATOR SHAFT ORIENTATION (19 SERIES ONLY)

1. CHECK ROTATION OF ACTUATOR SHAFT AND ORIENTATION OF FLATS (SEE BELOW).
2. IF ACTUATOR SHAFT FUNCTIONS PROPERLY, PROCEED WITH DEVICE INSTALLATION.
3. IF ACTUATOR SHAFT NEEDS TO BE REVERSED, PERFORM THE FOLLOWING:
 - A. PULL OUT ON ACTUATOR SHAFT UNTIL ACTUATOR GEAR DISENGAGES THE RETRACTOR.
 - B. TURN ACTUATOR SHAFT TO PROPER HANDING.
 - C. ENGAGE ACTUATOR GEAR INTO RETRACTOR.
 - D. CHECK FOR PROPER TRIM FUNCTION.
 - E. PROCEED WITH DEVICE INSTALLATION.



For 19 & 18 KIK and KIL

● RE-KEYING TRIM



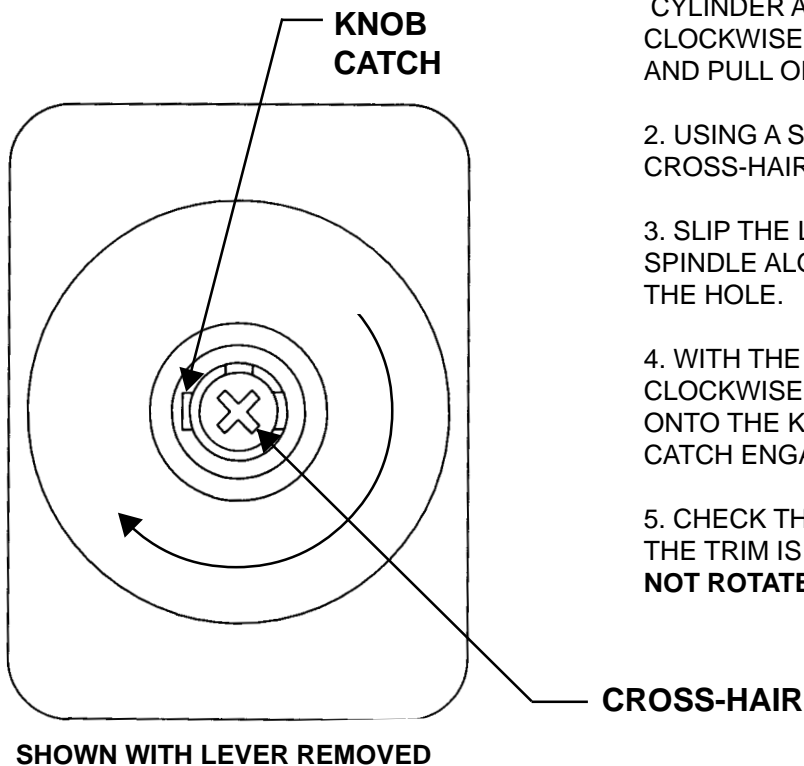
1. WITH TRIM UNLOCKED, INSERT KEY INTO CYLINDER AND TURN THE KEY 45 DEGREES CLOCKWISE. DEPRESS THE KNOB CATCH AND PULL OFF THE LEVER (OR KNOB).

2. IF RE-KEYING THE CYLINDER, REMOVE THE CYLINDER FROM THE LEVER (OR KNOB) AND RE-KEY OR REPLACE WITH OTHER CYLINDER. **NOTE: IF REPLACING EXISTING CYLINDER WITH ANOTHER CYLINDER, THE CYLINDER TAILPIECE LENGTH, WIDTH, AND ORIENTATION ARE CRITICAL; IT MAY BE NECESSARY TO SWAP CYLINDER TAILPIECES BEFORE CHANGING CYLINDERS.**

3. REASSEMBLE THE CYLINDER WITH KEY INTO THE LEVER (OR KNOB) AND SLIP ONTO THE SPINDLE ALIGNING THE KNOB CATCH WITH THE HOLE.

4. WITH THE KEY TURNED 45 DEGREES CLOCKWISE, DEPRESS THE LEVER (OR KNOB) ONTO THE KNOB CATCH UNTIL THE KNOB CATCH ENGAGES INTO THE LEVER (OR KNOB).

● NIGHT LATCH FEATURE



1. WITH TRIM UNLOCKED, INSERT KEY INTO CYLINDER AND TURN THE KEY 45 DEGREES CLOCKWISE. DEPRESS THE KNOB CATCH AND PULL OFF THE LEVER (OR KNOB).

2. USING A SCREWDRIVER, TURN THE CROSS-HAIR CLOCKWISE 180 DEGREES.

3. SLIP THE LEVER (OR KNOB) ONTO THE SPINDLE ALIGNING THE KNOB CATCH WITH THE HOLE.

4. WITH THE KEY TURNED 45 DEGREES CLOCKWISE, DEPRESS THE LEVER (OR KNOB) ONTO THE KNOB CATCH UNTIL THE KNOB CATCH ENGAGES INTO THE LEVER (OR KNOB).

5. CHECK THAT WHEN THE KEY IS REMOVED THE TRIM IS LOCKED. **NOTE: THE KEY WILL NOT ROTATE 360 DEGREES.**