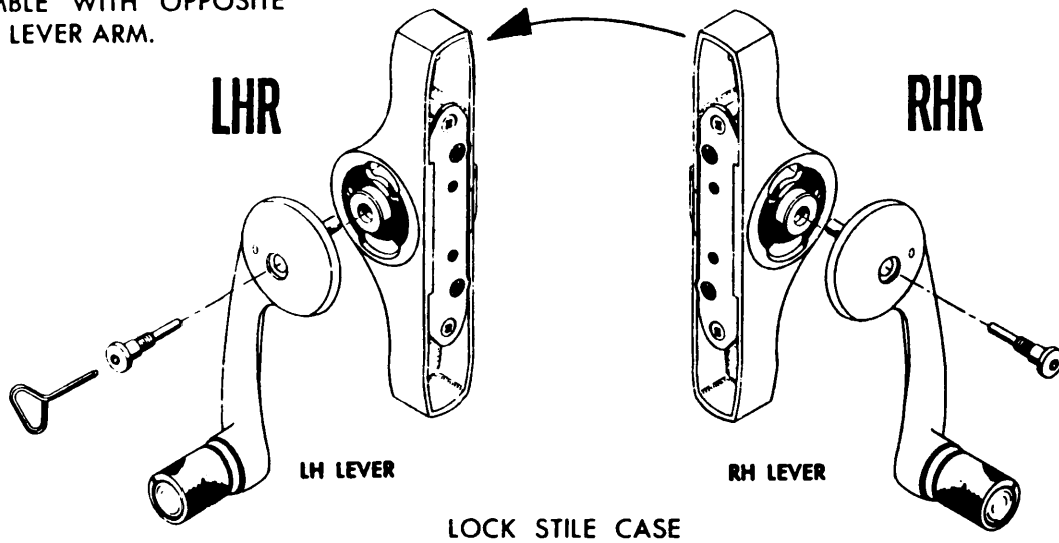


**REVERSING PROCEDURE**

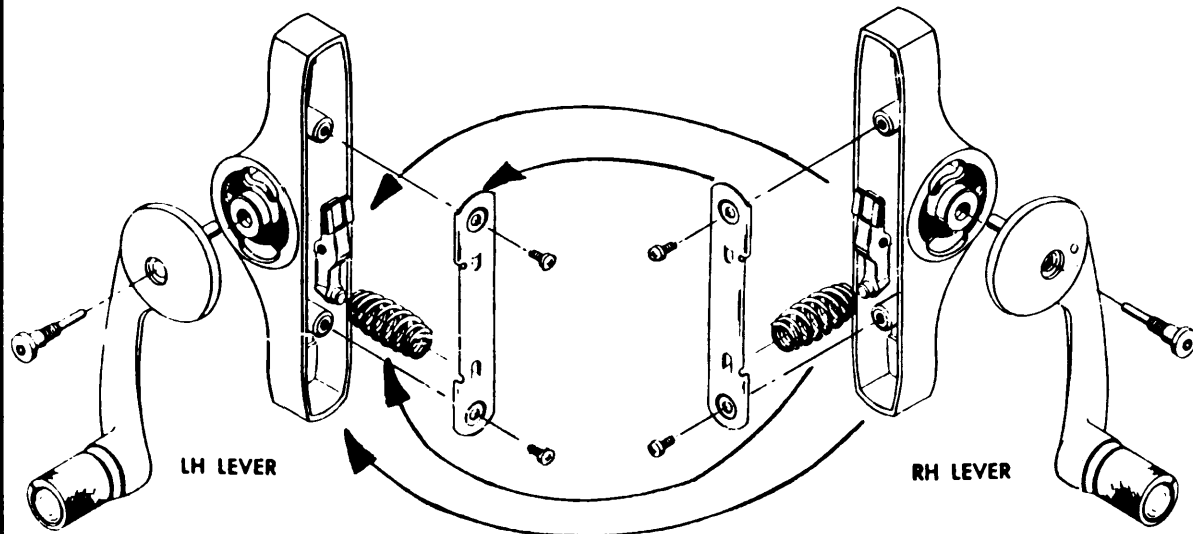
FOR LOCK STILE CASE—INVERT THE CASE AND REASSEMBLE WITH OPPOSITE HAND LEVER ARM.



LOCK STILE CASE

**REVERSING PROCEDURE**

FOR HINGE STYLE CASE—DISASSEMBLE HINGE STILE CASE, ROTATE PARTS AS SHOWN WITH SPRING ALWAYS AT THE BOTTOM. REASSEMBLE WITH OPPOSITE HAND LEVER ARM.



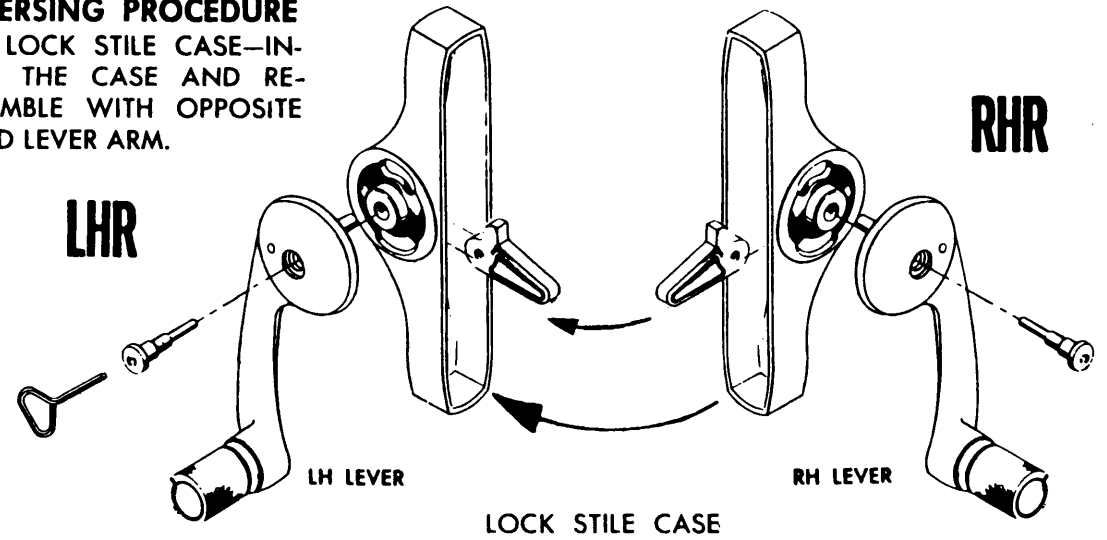
HINGE STYLE CASE

**55 RIM DEVICE**



**REVERSING PROCEDURE**

FOR LOCK STILE CASE—INVERT THE CASE AND REASSEMBLE WITH OPPOSITE HAND LEVER ARM.

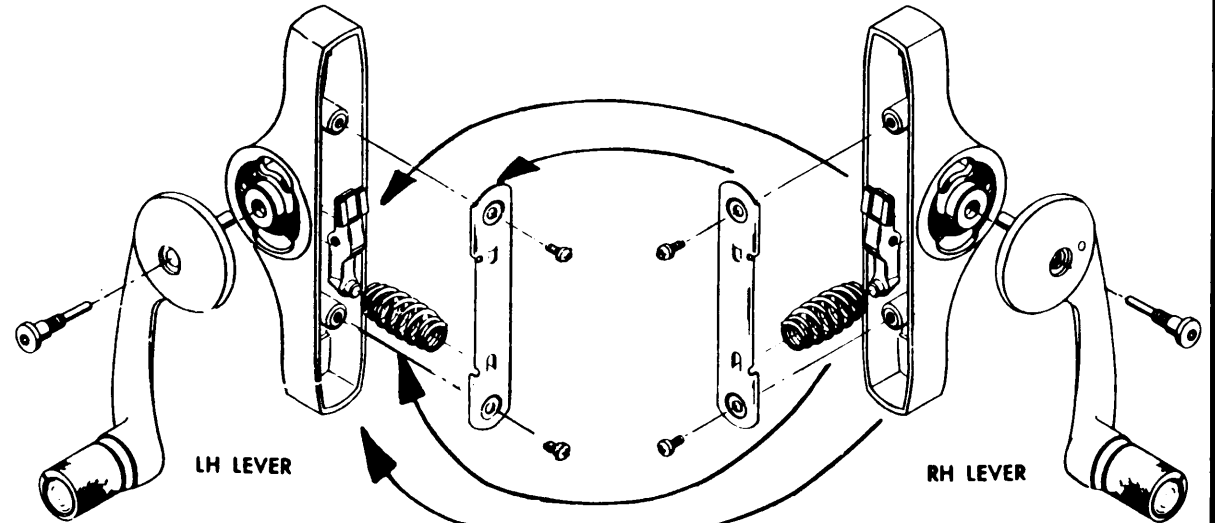


LOCK STILE CASE

**REVERSING PROCEDURE**

FOR HINGE STYLE CASE—DISASSEMBLE HINGE STILE CASE, ROTATE PARTS AS SHOWN WITH SPRING ALWAYS AT THE BOTTOM. REASSEMBLE WITH OPPOSITE HAND LEVER ARM.

**5547 VERTICAL ROD DEVICE**



HINGE STYLE CASE

DESCRIPTION:

**REVERSING PROCEDURE 55 RIM & 5547 VERTICAL ROD DEVICES**

**VON DUPRIN**

Part of worldwide Ingersoll-Rand

DIRECTION NUMBER: 941023-00(1)

DATE 11-27-84