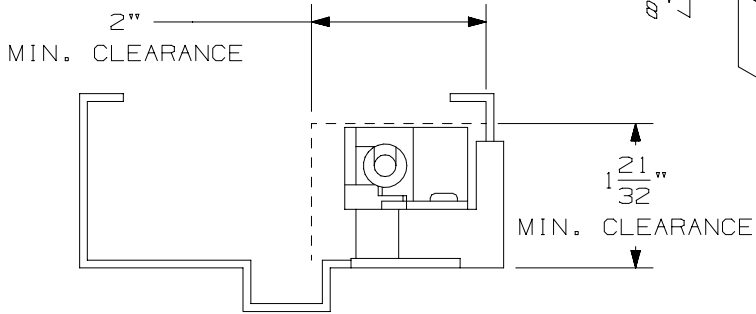
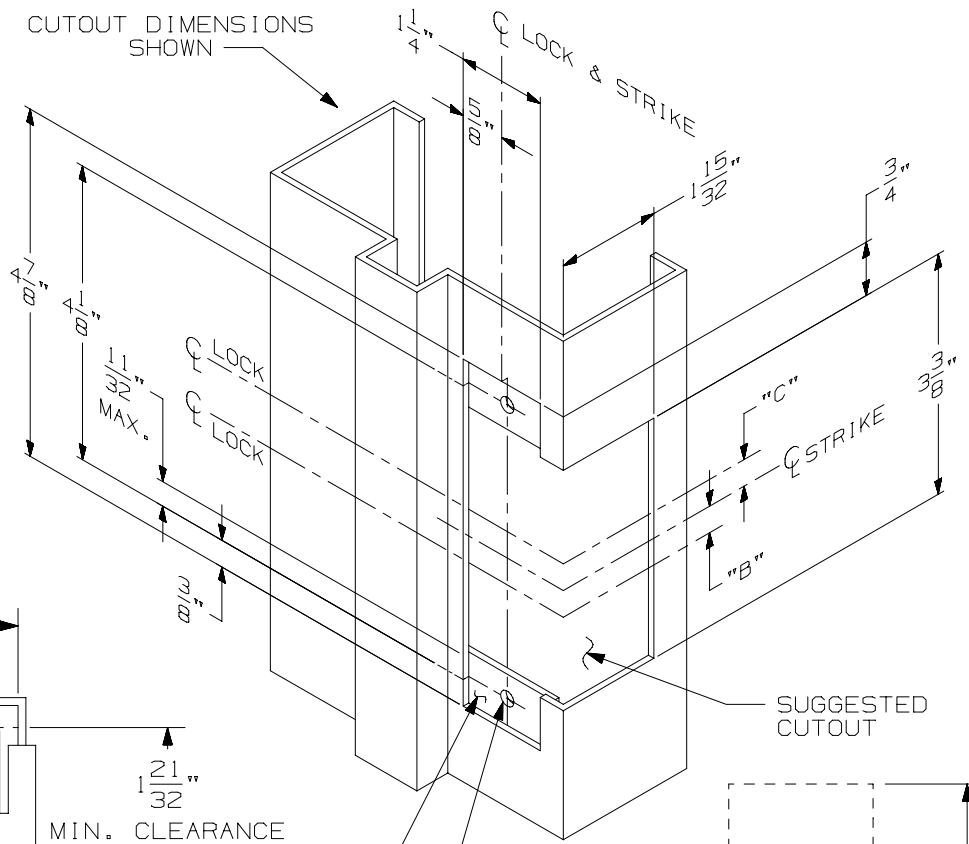


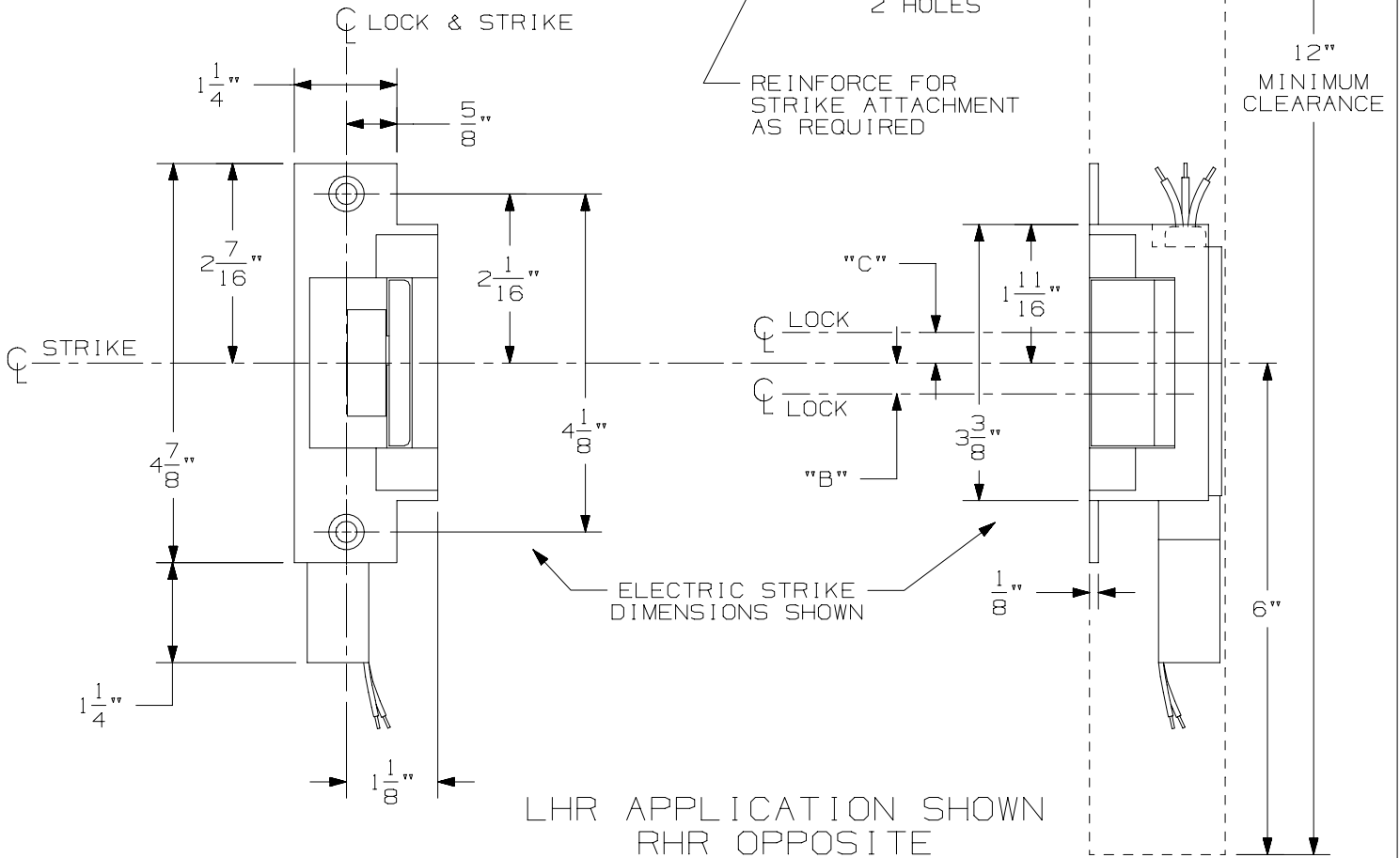
NOTES:

1. SEE SHEET 2 FOR APPLICATION SCHEDULE.
2. REPLACES 3140 STRIKE.
3. FEATURE SIZE TOLERANCES ARE $+0.015 -0.000$

CUTOUT DIMENSIONS SHOWN



#12-24 TAP 2 HOLES
REINFORCE FOR STRIKE ATTACHMENT AS REQUIRED



6211 ELECTRIC STRIKE

IR VON DUPRIN®

10

NOTE: SEE MASTER SHEET NO. 10001 FOR SUGGESTED REINFORCING.

TEMPLATE NUMBER: 30215_10SHT1

DATE: 9-22-98

6211 ELECTRIC STRIKE
 SINGLE DOOR APPLICATION
 MORTISE/CYLINDRICAL APPLICATION SCHEDULE
 REPLACES: VON DUPRIN 3140 ELECTRIC STRIKE

PRODUCT MANUFACTURER	PRODUCT APPLICATION	THROW	DIM "B"	DIM "C"
VON DUPRIN	7500 MORTISE	3/4"	3/8"	---
ADAMS RITE	4510	1/2"	3/8"	---
ADAMS RITE	4710	5/8"	3/8"	---
ARROW	A & B MORTISE	3/4"	---	3/8"
BALDWIN	6000 MORTISE	3/4"	---	11/16"
BEST	24H, 30 SERIES MORTISE	3/4"	---	3/8"
CORBIN/RUSSWIN	ML2200 SERIES MORTISE	3/4"	---	3/8"
FALCON	M2300, M2500 MORTISE	3/4"	---	7/16"
FALCON	M3300, M3500 MORTISE	5/8"	---	7/16"
FALCON	M2600 MORTISE	3/4"	7/16"	---
FALCON	M3600 MORTISE	5/8"	7/16"	---
GENERAL	MORTISE	3/4"	---	7/8"
PRECISION	MORTISE	3/4"	---	7/16"
SARGENT	7800/8200 MORTISE	3/4"	1/8"	---
SARGENT	77 MORTISE	5/8"	---	7/16"
SARGENT	18-77/81 MORTISE	3/4"	---	3/8"
SARGENT	900 MORTISE	3/4"	---	7/16"
SCHLAGE	K30/40/50/60 MORTISE	3/4"	---	7/8"
SCHLAGE	L9000 MORTISE	3/4"	---	7/8"
YALE	8600 MORTISE	5/8"	---	3/8"
YALE	7030, 7130, 8700 MORTISE	3/4"	---	3/8"
GLYNN-JOHNSON	HL6/CYLINDRICAL	1/2"	0"	0"
BALDWIN	CYLINDRICAL	1/2"-3/4"	0"	0"
BEST	CYLINDRICAL	3/8"-3/4"	0"	0"
FALCON	CYLINDRICAL	1/2"-3/4"	0"	0"
RUSSWIN/CORBIN	CYLINDRICAL	1/2"-3/4"	0"	0"
SARGENT	CYLINDRICAL	1/2"-3/4"	0"	0"
SCHLAGE	CYLINDRICAL	3/8"-3/4"	0"	0"
YALE	CYLINDRICAL	1/2"-3/4"	0"	0"

NOTES:

1. DEADLATCH NOT GUARANTEED ON CYLINDRICAL APPLICATIONS.
2. MONITORING COULD BE AFFECTED BY DOOR/FRAME PREPARATION.
3. SIGNAL TRIPPER FUNCTION WITH 3/8" THROW BOLTS IS NOT RECOMMENDED.
4. NO DEADBOLT ACTION AVAILABLE FOR MORTISE APPLICATIONS.

6211 ELECTRIC STRIKE
 MORT/CYL SINGLE DOOR APPLICATION



NOTE: SEE MASTER SHEET NO. 10001 FOR SUGGESTED REINFORCING.

TEMPLATE NUMBER: 30215_10SHT2

DATE: 9-22-98