

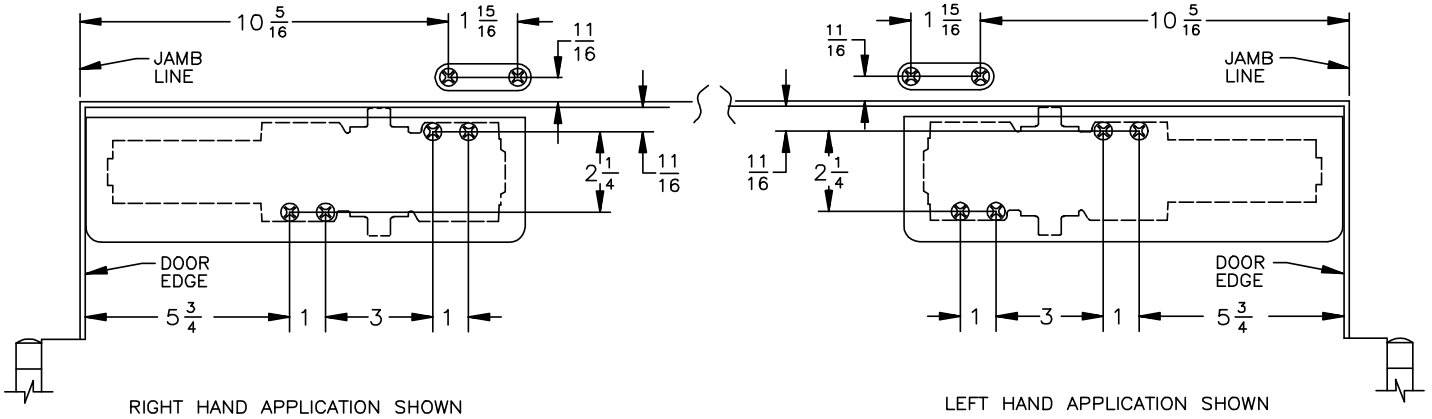
ST-1583

PULL SIDE MTG ON R.H.OR L.H.DOOR

4041 } MAXIMUM OPENING IS 95°

SPECIAL TEMPLATE FOR DOORS HUNG ON SWING CLEAR HINGES (BUTT OR CONTINUOUS) OR POCKET PIVOTS.

TOP RAIL LESS THAN $3\frac{3}{4}$ " REQUIRES 4040-18 DROP PLATE



AUXILIARY STOP RECOMMENDED

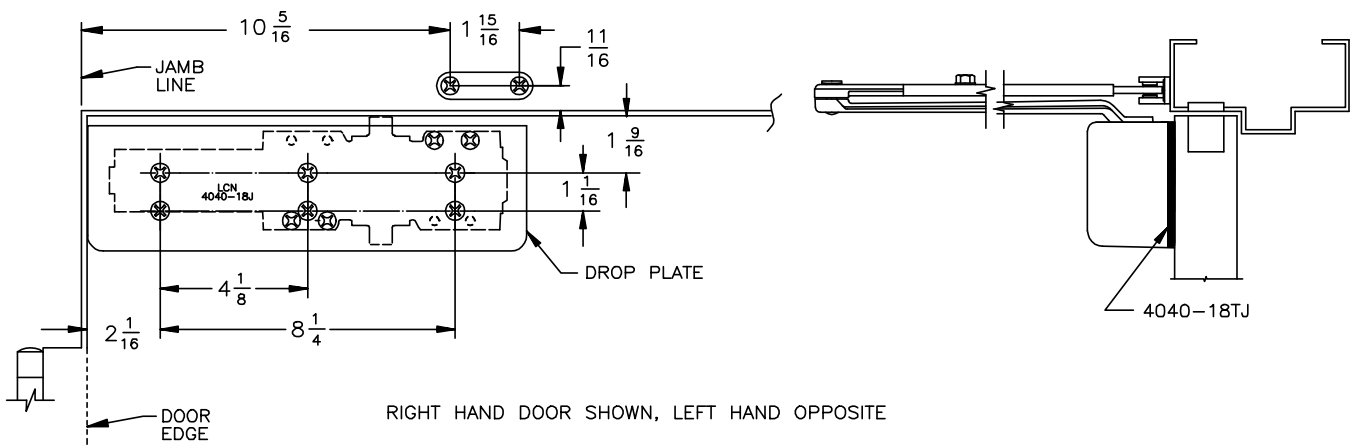
PULL SIDE MTG ON 4040-18TJ PLATE TO CLEAR CONCEALED HOLDER

4041 } MAXIMUM OPENING 95°

SPECIAL TEMPLATE FOR DOORS HUNG SWING CLEAR HINGES (BUTT OR CONTINUOUS) OR POCKET PIVOTS AND BEING USED WITH A CONCEALED HOLDER.

NOTE

- A. THIS INSTALLATION REQUIRES A 4040-18TJ DROP PLATE.
- B. WHEN THERE IS A CONFLICT BETWEEN THE DEPTH OF THE HOLDER AND THE PLATE MOUNTING HOLES, THRU BOLT THE PLATE TO THE DOOR USING THE THREE LOWER MOUNTING HOLES.
- C. WHEN USING PUSH SIDE SURFACE MOUNTED HOLDERS AND A CONFLICT OCCURS BETWEEN THE HOLDER THRU BOLT AND THE PLATE, COUNTER BORE OR DRILL THRU THE PLATE FOR THRU BOLT HEAD CLEARANCE.



RIGHT HAND DOOR SHOWN, LEFT HAND OPPOSITE

| No. | REVISION | BY | DATE | INGERSOLL-RAND ARCHITECTURAL HARDWARE | LCN | DO NOT SCALE |
|-----|------------|-----|------|--|-----|--------------|
| 1 | CAD UPDATE | TAA | 4/03 | | | |

4041 ON A 4040-18TJ PLATE TO CLEAR A CONCEALED HOLDER OR TO CLEAR A RABBETED DOOR

4041 X ST-1583