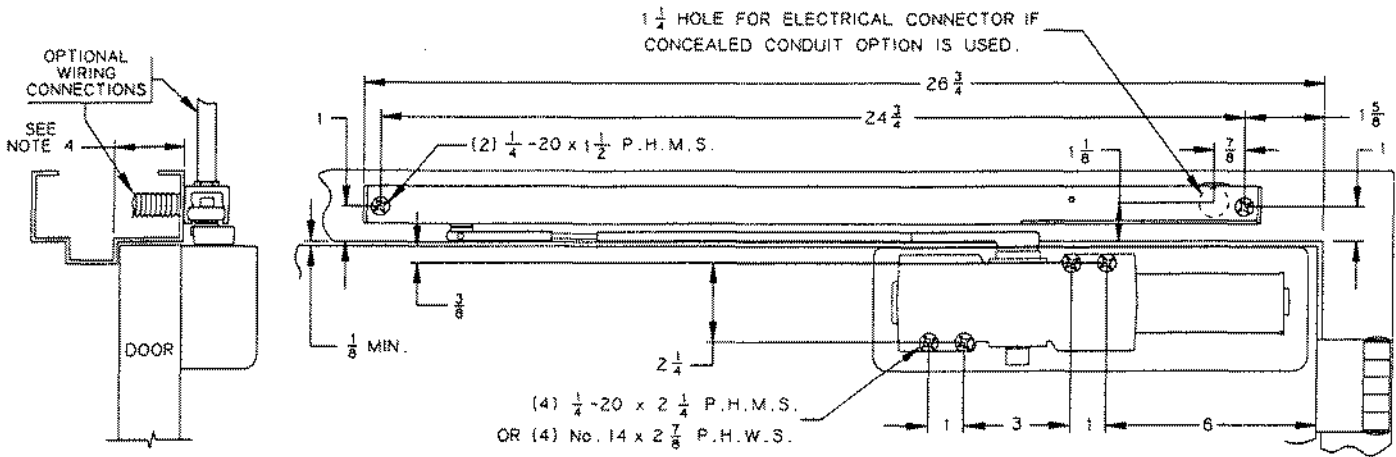


4040SEL } 85° TO 100° HOLD OPEN

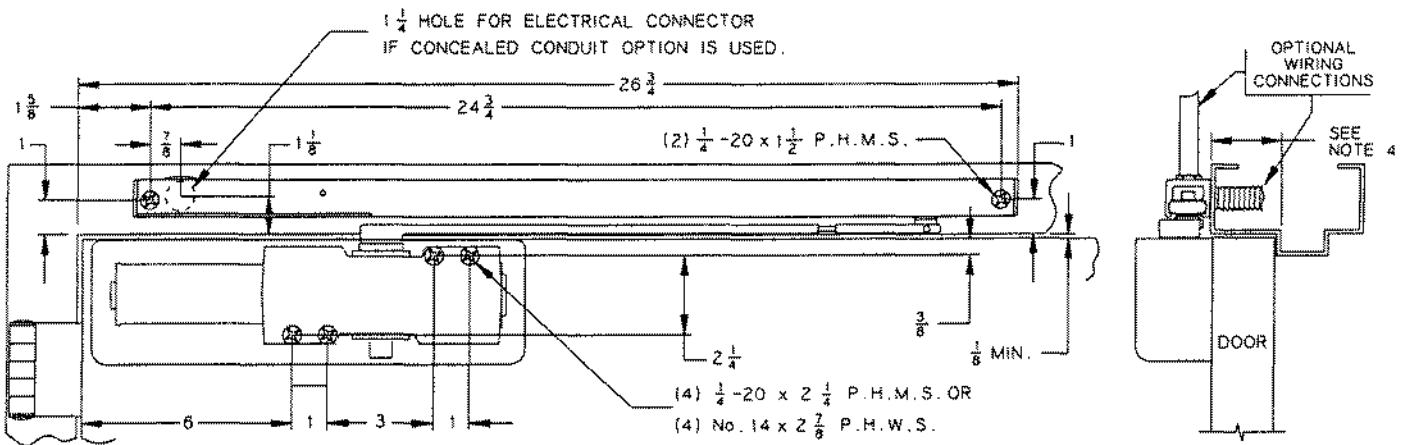
AUXILIARY STOP RECOMMENDED

FOR USE WITH SWING CLEAR HINGE
SEL TRACK REQUIRED



TEMPLATING FOR LEFT HAND DOOR

FOR USE WITH SWING CLEAR HINGE
SEL TRACK REQUIRED



TEMPLATING FOR RIGHT HAND DOOR

- NOTES: 1. VOLTAGE SUPPLIED TO UNIT MUST MATCH VOLTAGE SHOWN ON SENTRONIC LABEL.
2. FOR USE WITH SWING CLEAR HINGES.
3. FLOOR OR WALL STOPS SHOULD BE USED.
4. IF THIS DIMENSION IS GREATER THAN 1 15/16", CONSULT FACTORY.
5. REINFORCING PER ANSI/SDI-100 RECOMMENDED FOR HOLLOW METAL DOORS & FRAMES.

CB No. ST-2966 has been assigned to these drawings. All correspondence, orders, etc. must refer to this number.

ST-2966

INCH	1/8	1/4	3/8	7/8	15/16	1	1 1/16	1 1/8
M.M.	3	6	10	22	24	25	27	29

INCH	1 1/2	1 15/16	2 1/4	2 7/8	3	3 1/4	6	24 3/4	27 3/8
M.M.	38	49	57	73	76	83	152	619	695

No.	REVISION	BY	DATE	INGERSOLL-RAND ARCHITECTURAL HARDWARE	DRW BY CTB 1/94
					DO NOT SCALE
4040SEL HINGE FACE MOUNTED CLOSER WITH ELECTRONIC RELEASE					

4040SEL X ST-2966