

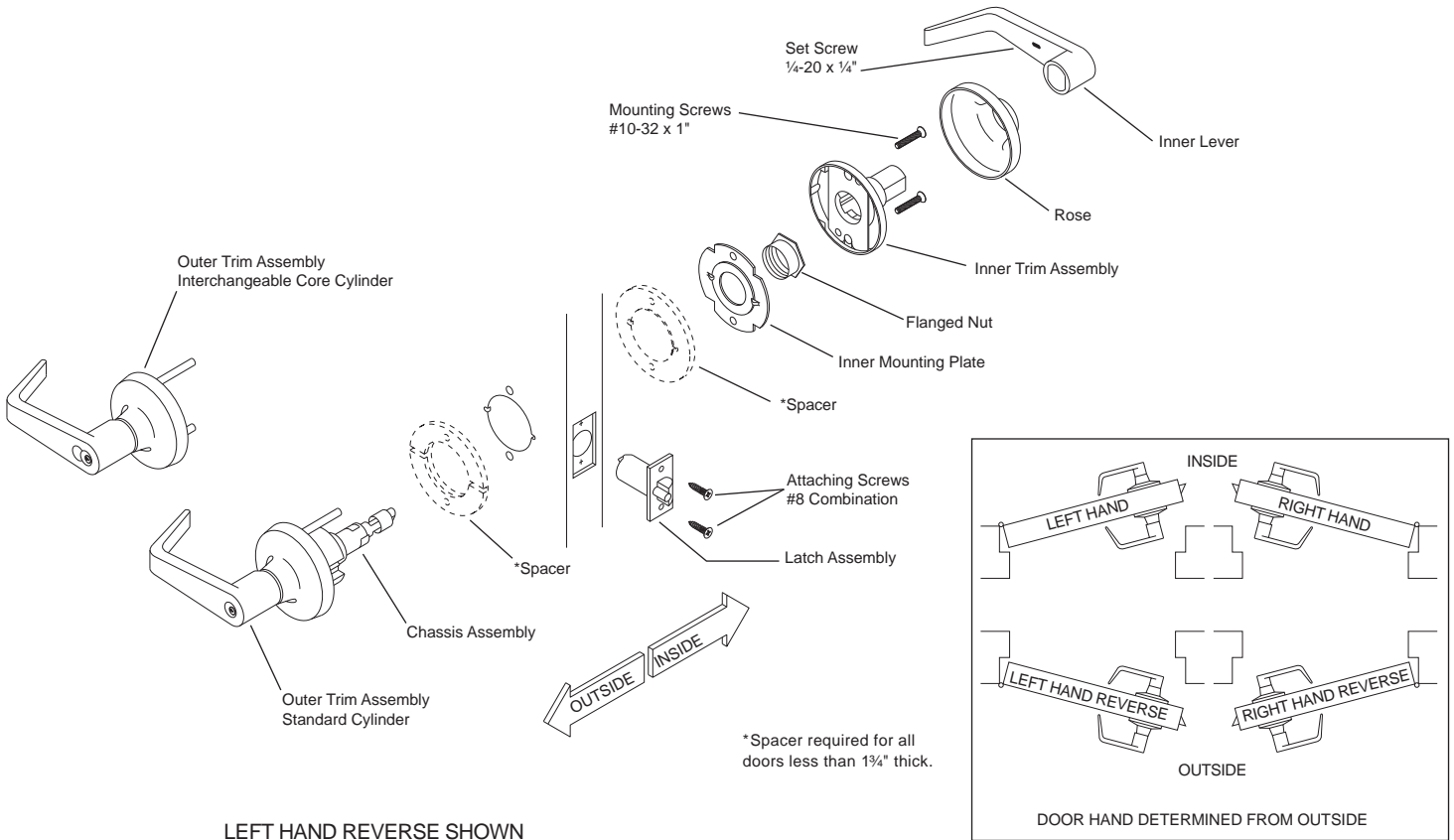


03079400070

FALCON®

INSTALLATION INSTRUCTIONS FOR INSTALLING T-SERIES EXTRA HEAVY DUTY LEVER LOCKSET

IMPORTANT: THIS LOCK IS NON-HANDED. LOCK IS FACTORY PACKED PREADJUSTED FOR 1¾" (45mm) THICK DOORS. TO ADJUST LOCK FOR OTHER DOOR THICKNESS, SEE STEP 8, 9 & 10. SPACERS MUST BE USED FOR DOORS THINNER THAN 1¾" (45mm) THICK. FOR FUNCTIONS T351, T381, T561 AND T571, SEE STEPS 16 (STANDARD CYLINDER) OR 17 (IC CORE) FOR TIMING INSTRUCTIONS.



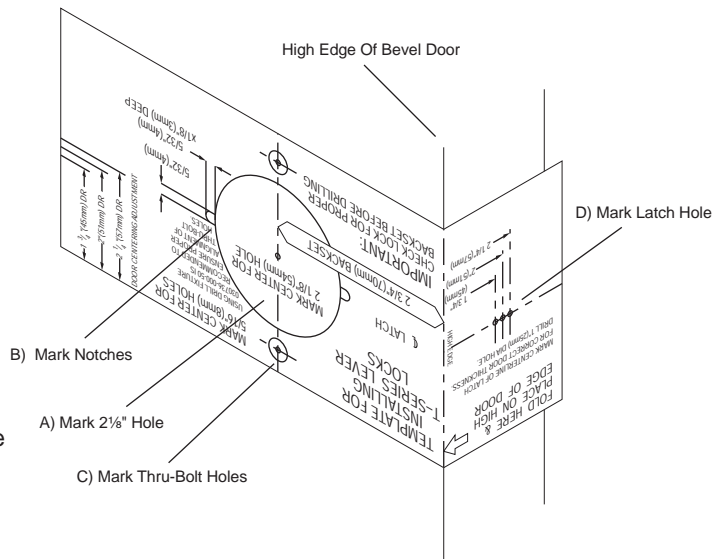
STEP 1 MARK THE DOOR

Fold the template on the line indicated.
Place on **HIGH EDGE** of door bevel.
Position centerline of the template on heightline (suggested height is 38" (965 mm) from floor).

- A. Locate and mark center for 2½" (54 mm) hole.
- B. Locate and mark positions for notches.
Caution: Notches must be horizontal.
- C. Locate and mark center for two (2) 5/16" (8 mm) through-bolt holes.
- D. Locate and mark center for 1" (25 mm) latch bolt hole in the door edge.

Note: If steel frames are used, the latch centerline must be in line with the center of the strike preparation.

Hint: For retrofitting of existing 2½" (54mm) holes, fold template in half to locate position for the two (2) 5/16" (8mm) holes.



STEP 2 BORE HOLES: INSTALL LATCH

When drilling through the door, be careful not to damage the door finish.

- Bore a 2 1/8" (54 mm) hole and two (2) 5/16" (8 mm) holes from both sides of door to avoid splintering wood.
- Bore a 1" (25 mm) hole into door edge. Using the latch faceplate as a pattern, trace outline and mortise the door edge so the latch is flush with door. If 3/4" projection latch is to be installed see Step 19.

Note: For wood jambs, close the door and using a strike-locating tool or other pointed object, mark the position of the hole in the jamb. Open the door and drill 1" (25 mm) hole in the jamb a minimum of 3/4" (19 mm) deep.

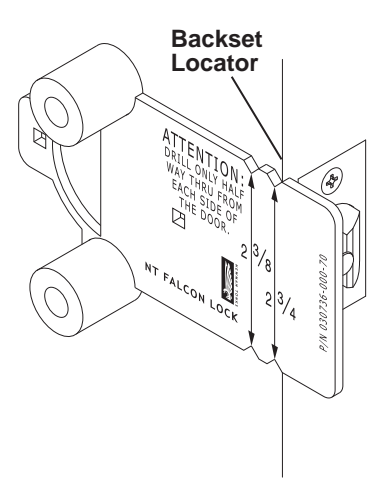
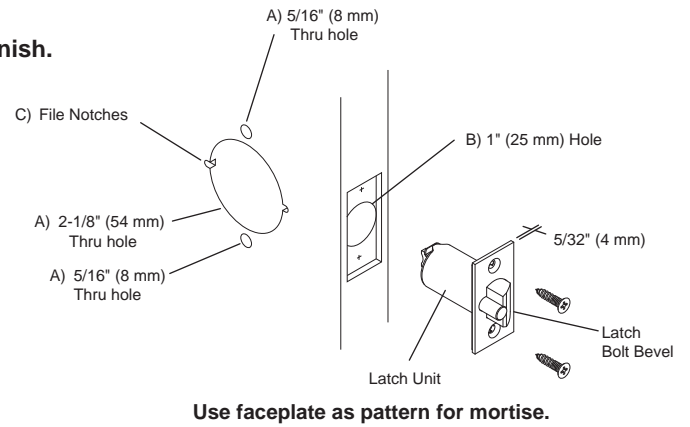
- File two (2) 5/32" (4 mm) x 5/32" (4 mm) x 1/8" (3 mm) deep notches into both sides of the door.
- Insert the latch unit in the door, making certain that the latch bolt bevel faces the direction of the closing door. Attach with two (2) #8 combination screws provided.

Note: Use of a drill guide is recommended to ensure straight and level holes.

IF USING THE FALCON OPTIONAL DRILL GUIDE

Install Drill Guide (M204-198) into the door. Make certain the correct backset locators are even with door edge. Drill two (2) 5/16" (8 mm) holes from both sides to the center.

Note: Drill guide replacement is recommended after ten (10) door preparations.



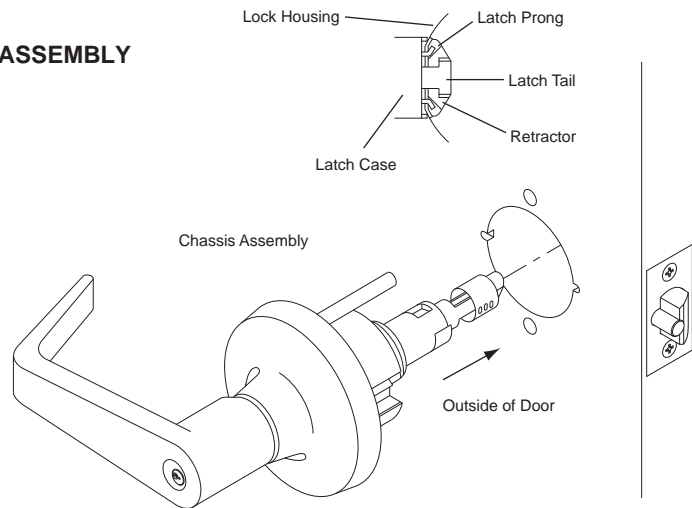
STEP 3 INSTALL CHASSIS AND OUTER TRIM ASSEMBLY

Note: For ease of installation, the lock should be in the **unlocked** position.

Slide the chassis assembly into the door from outside making sure that the lock housing engages the latch prongs. Retractor must also engage the latch tail.

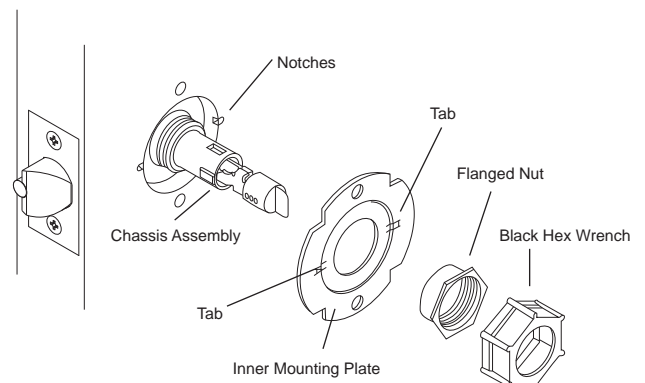
Important: The chassis assembly must be positioned in the center of the door for proper operation.

See Step 9 for door thickness adjustment.



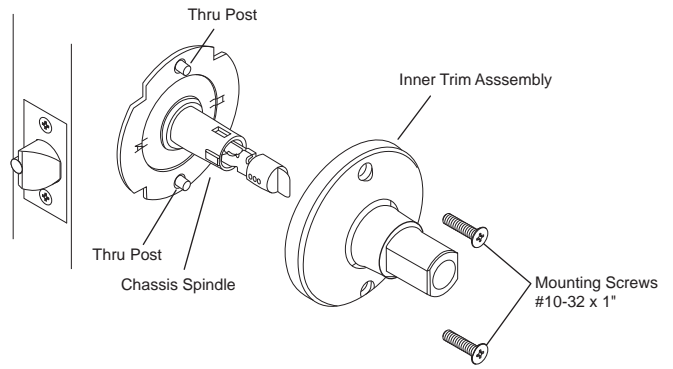
STEP 4 INSTALL INNER MOUNTING PLATE

- Place the inner mounting plate onto the chassis assembly making sure that the plate tabs engage the horizontal notches in the door.
- Position the flanged nut over the chassis assembly and tighten securely with hex wrench provided.



STEP 5 INSTALL INNER TRIM ASSEMBLY

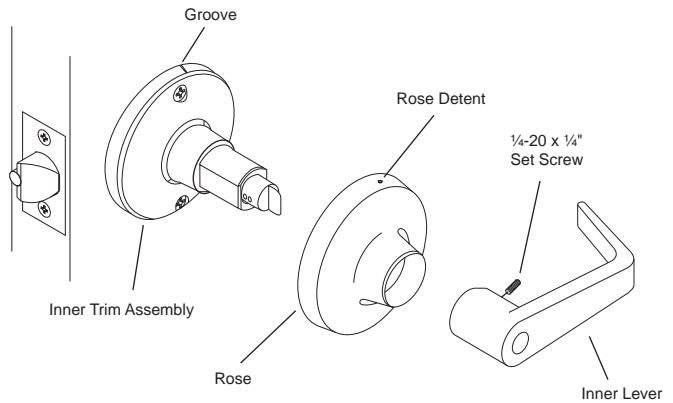
Slide the inner trim assembly over the chassis spindle. Thru-posts will engage the inner trim assembly on 1 3/4" (45 mm) thick doors. Secure to the door with two #10-32 x 1" machine screws provided.



STEP 6 INSTALL INNER LEVER

- Position the rose over the inner trim assembly making sure the rose detent engages the groove in the spindle assembly.
- Install the lever handle and tighten the set screw with the hex key provided.

STOP! Test operation to be sure the latch bolt moves freely. DO NOT FORCE. If the lockset does not operate properly, remove the lockset from the door and check the door preparation and door thickness adjustment. Go back to Step 3 to re-install the chassis.

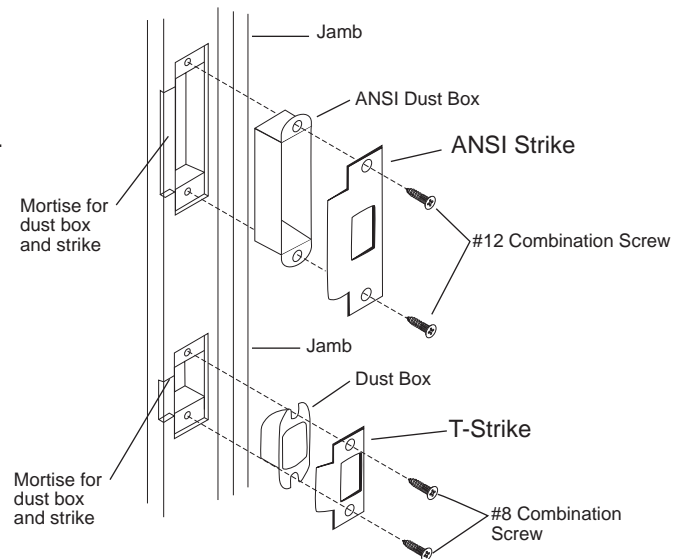


STEP 7 LOCATE AND INSTALL THE STRIKE

- For wood jambs, center the strike latch opening over 1" (25 mm) hole in jamb. Trace the outline around the strike on the door jamb.
- Mortise the door jamb to accommodate the strike box and the strike.
- Insert the strike box if required and fasten the strike to the jamb with #12 or #8 combination screws provided.

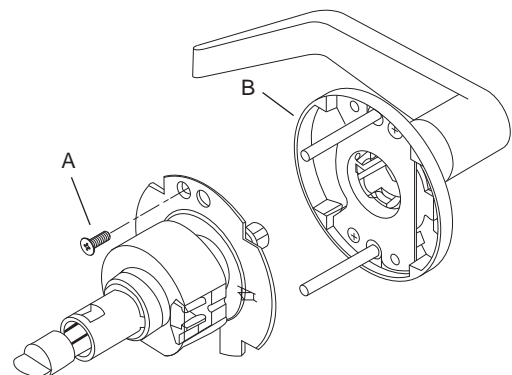
Caution: Deadlocking plunger of the latch bolt must not enter the opening in the strike plate.

Note: When the strike box is not used, the recess in the jamb must be a minimum of 9/16" (14 mm) deep to allow the latch bolt to extend to its full projection.



STEP 8 INSTRUCTIONS FOR REMOVING OUTSIDE TRIM

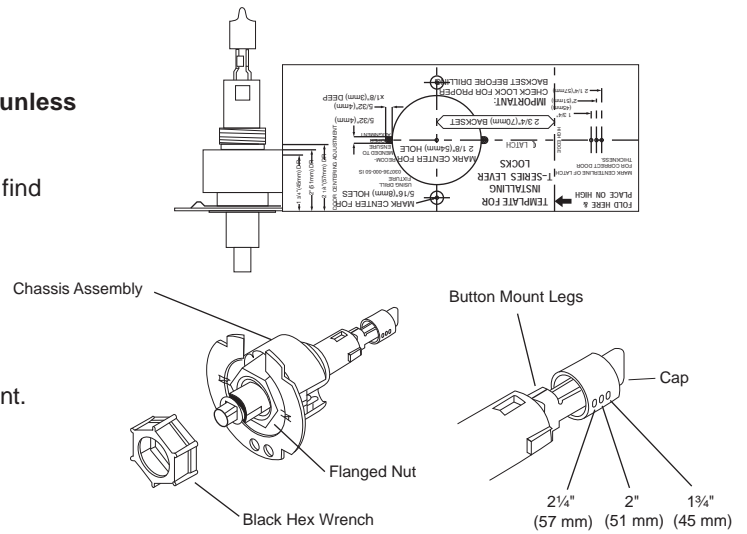
- Remove the outside trim retaining screw (A).
- Slide the outside trim (B) from the chassis assembly.
- See Step 9 for chassis adjustment procedure, or Step 10 for spacer installation.
- Slide the outside trim (B) onto the chassis.
- Replace the outside trim retaining screw (A).



STEP 9 ADJUST LOCK FOR DOOR THICKNESS

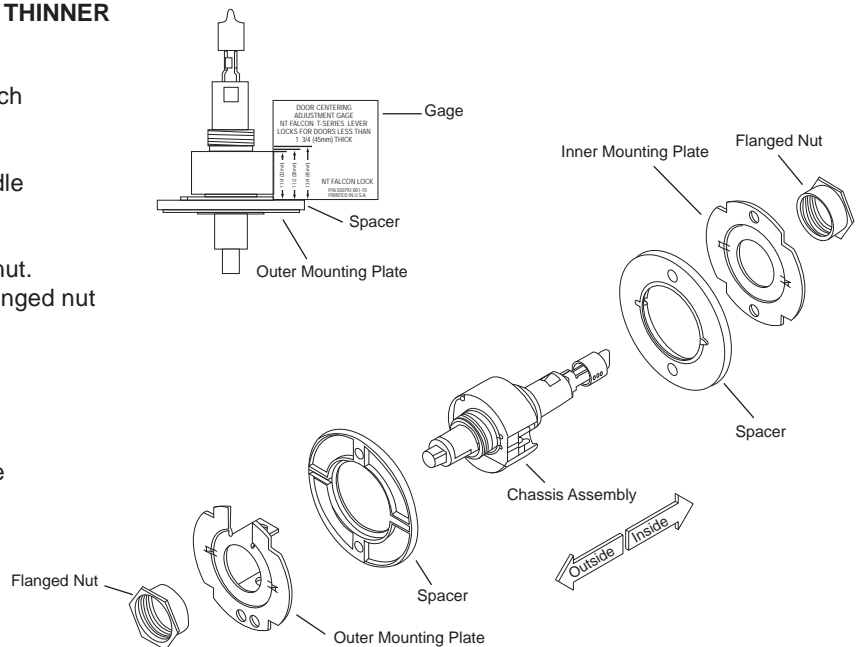
The lock is factory packed preadjusted for 1 3/4" (45 mm) doors unless special ordered.

- Place the template provided against the retractor housing to find the mark for door thickness.
- If adjustment is necessary, use hex wrench provided and rotate flanged nut counterclockwise to adjust. Again, use the template markings to measure adjustment before installing lock on door.
Hint: Three full turns of the nut equals (=) 1/8" (3 mm) adjustment.
- Pinch the button mount legs together and move the cap to the desired position.



STEP 10 INSTALLING SPACER FOR DOORS THINNER THAN 1 3/4" (45 mm)

- Remove the flanged nut with the black hex wrench provided, and remove the outer mounting plate.
- Place the spacer on over the outer chassis spindle as shown.
- Re-install the outer mounting plate and flanged nut. Using the adjusting gage provided, adjust the flanged nut for proper door thickness as shown.
- Go back to Step 3 for chassis installation.
- Place the second spacer over the inner chassis spindle before installing the inner mounting plate and flanged nut. Continue at Step 5.

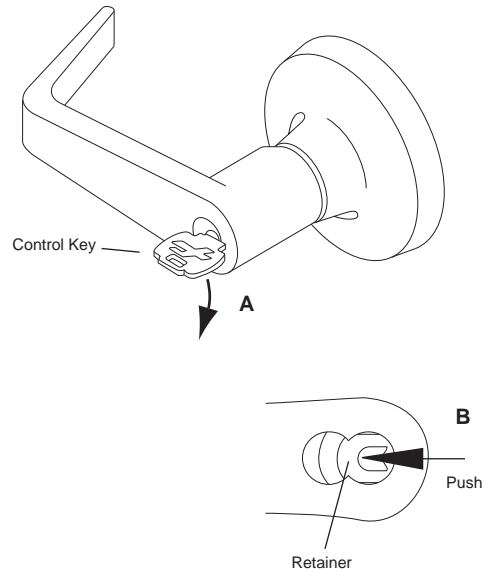


STEP 11 TO REMOVE ALL LEVERS WITH INTERCHANGEABLE CORE CYLINDERS

- Insert the control key into the core and rotate 15 degrees clockwise. Pull the key to remove the core.
- Insert a screwdriver into the "figure 8" core hole and into the lever retainer.
- Depress the retainer and slide the lever off the spindle.

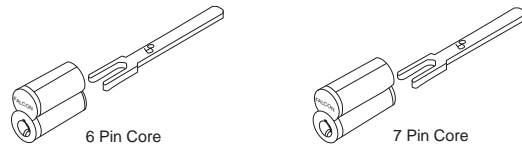
TO RE-INSTALL THE LEVER

- Slide the lever over the spindle and push on over the retainer.
- Pull on the lever to be sure the retainer is engaged with the lever.
- Re-install the core with the tailpiece pushed into the core.



STEP 12 IC CORE AND TAILPIECE

Be certain to use the correct tailpiece with the core.
Six pin cores should only use the "6P" tailpiece.
Seven pin cores should only use the "7P" tailpiece.

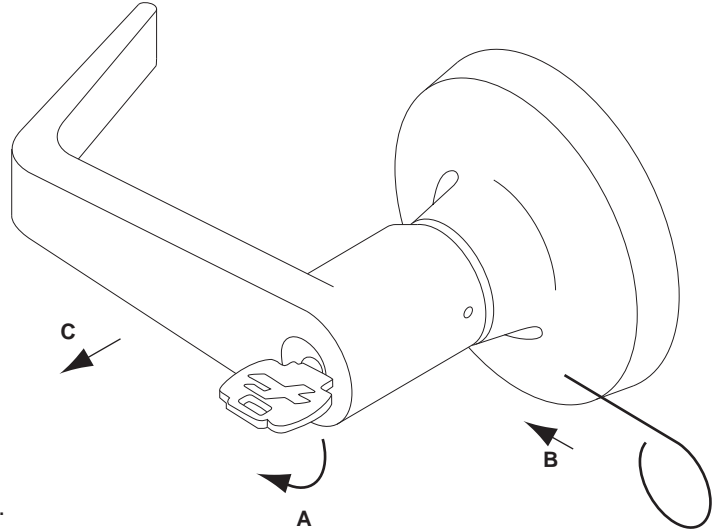


STEP 13 TO REMOVE ALL CYLINDER LEVERS (Except Interchangeable Core)

- Insert the key and rotate clockwise approximately 60 degrees.
- Depress lever retainer with tool provided.
- Slide lever off spindle.

TO RE-INSTALL THE LEVER

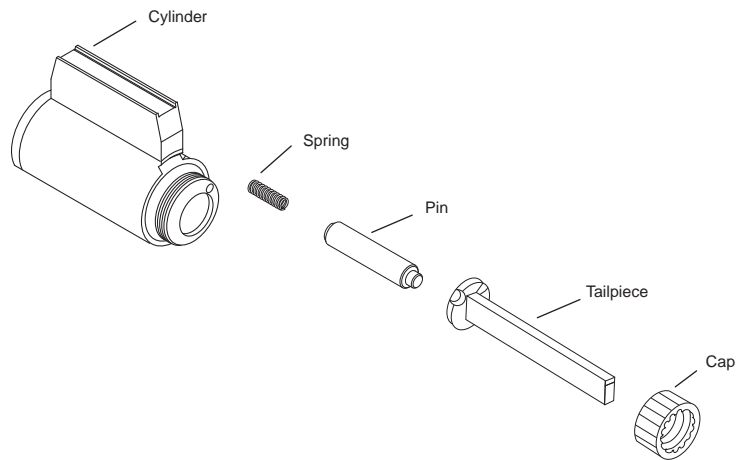
- Insert cylinder into spindle.
- Slide lever onto spindle.
- Insert key into cylinder and rotate clockwise approximately 60 degrees and push lever over retainer.
- Pull on lever to be sure the retainer is engaged with the lever.



STEP 14 TAILPIECE INSTALLATION

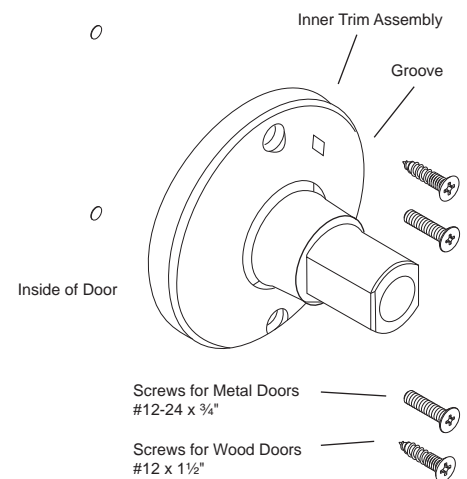
For proper function of the lock, the tailpiece must be installed correctly.

All T-Series tailpieces should be installed **VERTICALLY** in the cylinder.



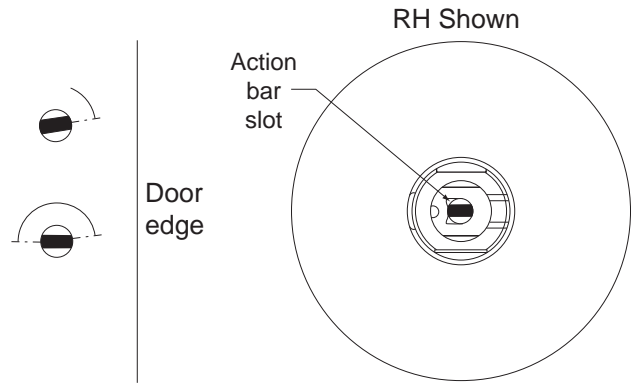
STEP 15 SINGLE DUMMY TRIM, T12

- Using the template described in Step 1, locate and mark the center for two (2) mounting holes.
- For Wood Door** - Drill two (2) pilot holes $\frac{5}{32}$ " (4 mm) x $\frac{7}{8}$ " (22 mm) deep for #12 wood screws.
For Metal Door - Drill and tap two (2) holes for #12-24 machine screws.
- Position the spindle assembly over the mounting holes and secure to the door with the screws provided.
- See Step 6 for lever installation.



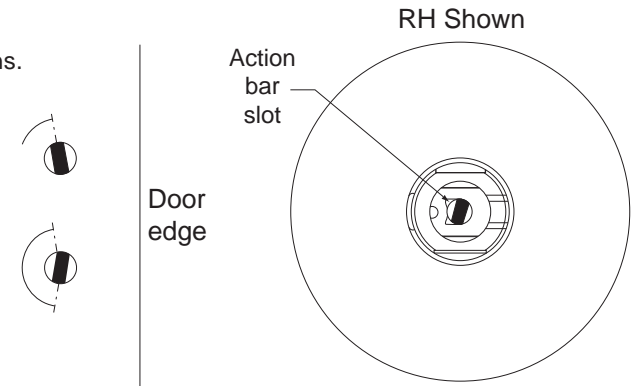
**STEP 16 TIMING INSTRUCTIONS FOR STANDARD CYLINDER LOCKS FOR THE FOLLOWING FUNCTIONS:
T351, T381, T561, T571**

- A. If the cylinder and lever are installed, refer to Step 13 for lever removal instructions.
- B. Using a thin flat screw driver, turn the action bar slot clockwise (cw) until it stops at about 2:00.
- C. Then turn the action bar counterclockwise (ccw) to the 9:00 position. **NOTE: There is no physical stop at this location.**
- D. With the key out, install the standard cylinder into the spindle.
- E. Refer to Step 13 for lever re-installation.
- F. Operate the key to test for proper operation.



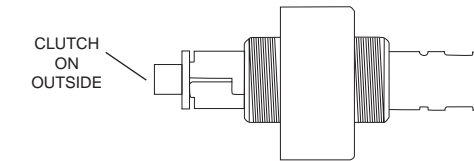
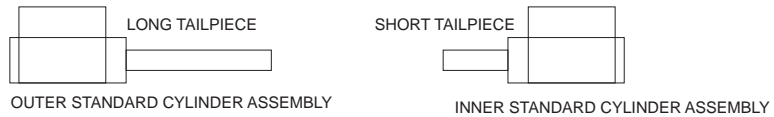
**STEP 17 TIMING INSTRUCTIONS FOR IC CORE LOCKS FOR THE FOLLOWING FUNCTIONS:
T351, T381, T561, T571**

- A. If the core is installed, refer to Step 11 for IC core removal instructions.
- B. Using a thin flat screw driver, turn the action bar slot clockwise (cw) until it stops at about 11:00.
- C. Then turn the action bar counterclockwise (ccw) to the 7:00 position. **NOTE: There is no physical stop is at this location.**
- D. Using the control key, insert IC core into the lever and spindle.
- E. Remove the control key.
- F. Operate the key to test for proper operation.

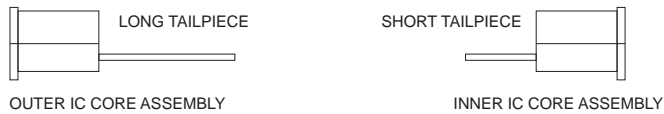


STEP 18 TAILPIECE INSTALLATION INSTRUCTIONS FOR T381 FUNCTION

SEE STEP 14 FOR STANDARD CYLINDER TAILPIECE INSTALLATION



SEE STEP 12 FOR IC CORE TAILPIECE INSTALLATION



STEP 19 INSTALLATION INSTRUCTIONS FOR OPTIONAL 3/4" PROJECTION LATCH

- A. Determine the hand of the door.
- B. On the side closest to the door stop, remove the shaded area as shown. Use a standard rotary file 3/8" diameter maximum.
- C. Try the latch for fit and function.
- D. Secure the latch with two (2) #8-32 machine screws provided.

