

Auxiliary Fire Latch for LBR Devices

Instructions for Door Preparation, Wood Door, LHR Shown, RHR Opposite

INSTRUCTIONS

1. Prepare edge of door for auxiliary fire latch, and prepare edge of opposite door with strike hole (Figure A). It does not matter which door the auxiliary fire latch is installed on.
2. Install auxiliary fire latch with four #6 x 3/4" Type AB flat head sheet metal screws (Figure B).
3. Install strike hole plug (Figure B).



NOTE

The auxiliary fire latch assembly keeps doors in alignment during a fire. In a fire, the black cap on the face of the auxiliary fire latch and the strike hole plug melt to allow the auxiliary bolt to extend into the strike hole in the opposite door leaf. **Do not cover the door gap at the auxiliary fire latch with a door edge guard or similar device.**

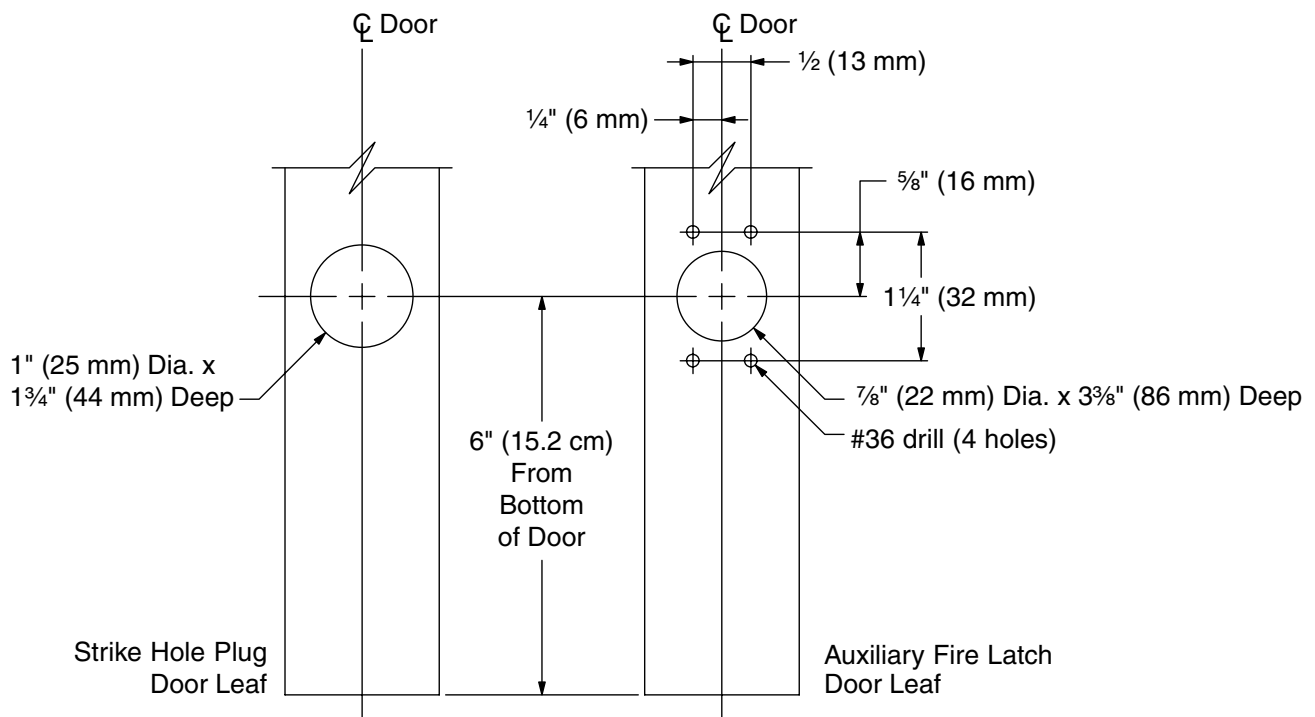


FIGURE A

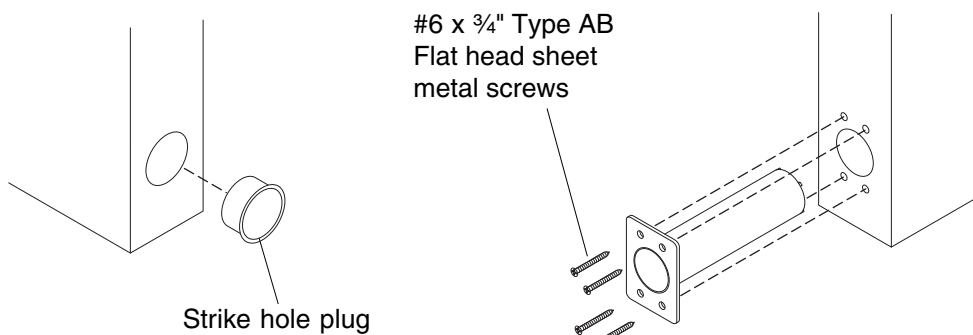


FIGURE B

TEMPLATE

W-5494-a