

MORTISE LOCK INSTALLATION

1. Prepare door for device and trim (see their instructions).
2. Prepare door for mortise lock and cylinder (see preparation on other side of these instructions).
3. Remove retaining screws, scalp plate, and insert (Figure 1).
4. Adjust faceplate for door bevel (Figure 2):
 - (a) Loosen top and bottom faceplate screws.
 - (b) Pivot faceplate to match door bevel.
 - (c) Tighten top and bottom faceplate screws.
5. Install mortise lock into door with two #12-12 x 12-24 x 1" combination screws.
6. Install trim, if required (see trim instructions).
7. If using outside cylinder (Figure 3):
 - (a) Back out cylinder set screws enough to clear cylinder mounting hole.
 - (b) Thread cylinder into mortise lock through hole in outside face of door.
 - (c) Tighten the cylinder set screw that is closest to outside face of door. Remove the other cylinder set screw.
8. Rotate latch bolt so flat side faces exit direction. (Figure 4).
9. Replace insert, scalp plate, and scalp plate retaining screws (Figure 1).

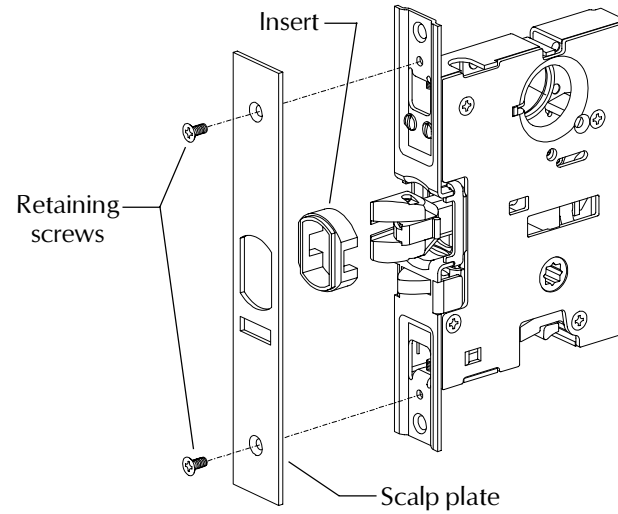


Figure 1

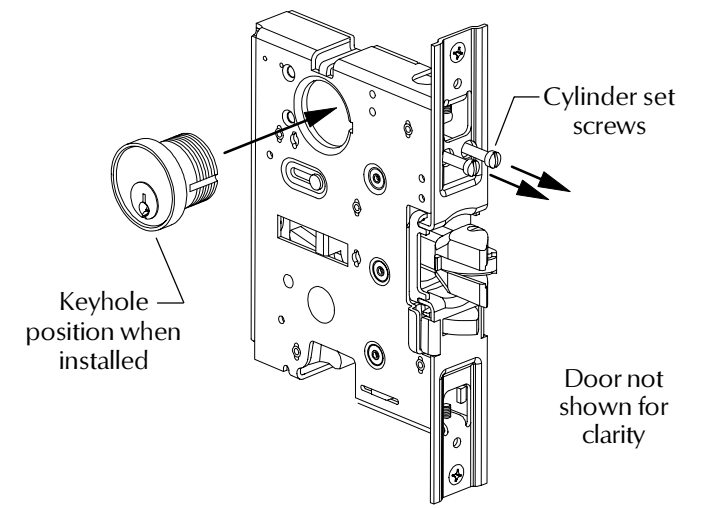


Figure 3

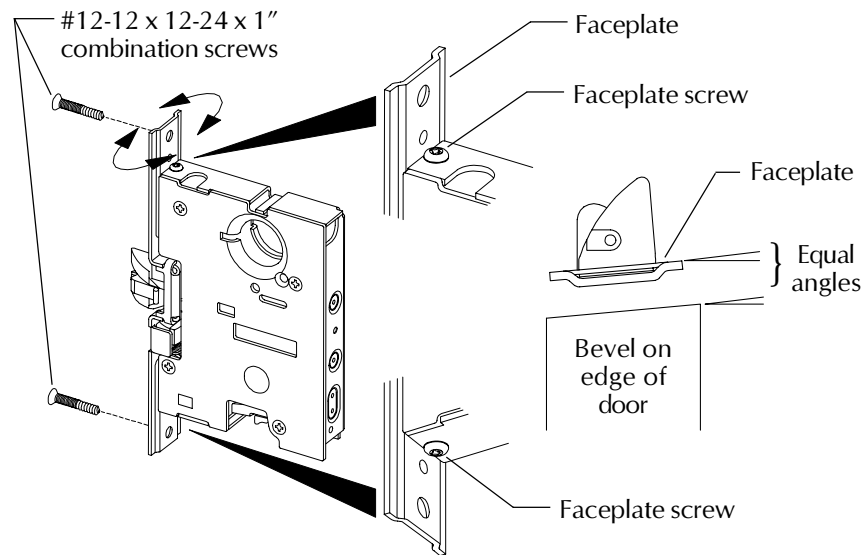


Figure 2

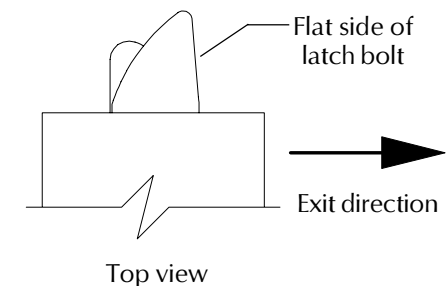


Figure 4

VON DUPRIN

DESCRIPTION:

7500 MORTISE LOCK INSTALLATION INSTRUCTIONS

Copyright © 2000 Ingersoll-Rand Company. All rights reserved.

IR Security & Safety

DIRECTION NUMBER:

941019_00(9)

SHEET#:

1 of 2

DATE:

08-25-00

