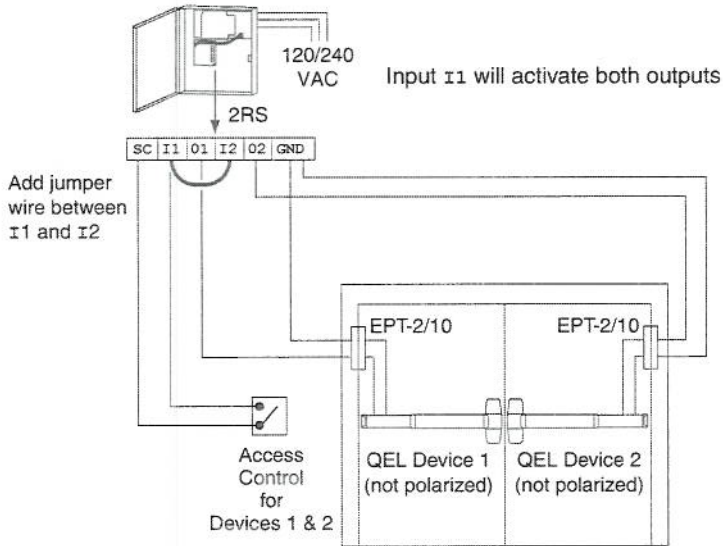


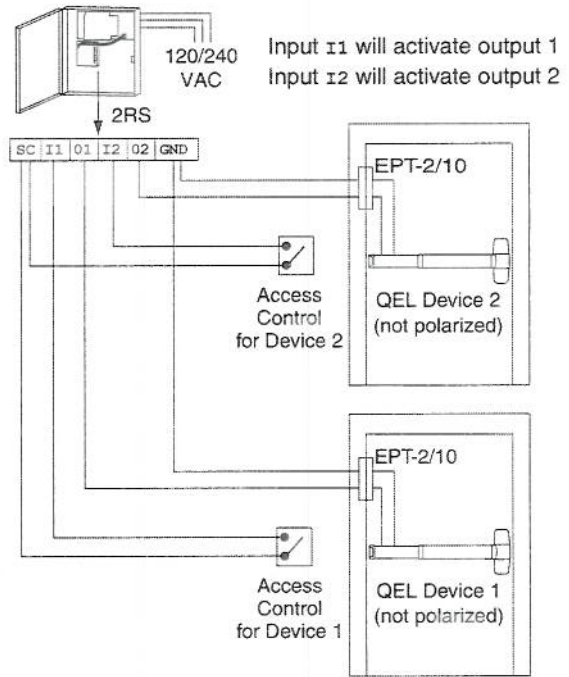
4 CONNECT INPUT AND OUTPUT WIRES TO 900-2Q OPTION BOARD

- QEL requires 18AWG minimum wire.
- Maximum wire run is 200' between power supply and QEL device.
- Maximum of 2 QEL devices per 900-2Q board.
- For auto operator with unlock delay of 1 second or less, connect both QEL to output 1.

Sequential Mode - Typical Wiring

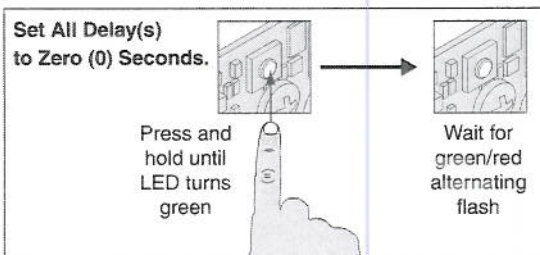
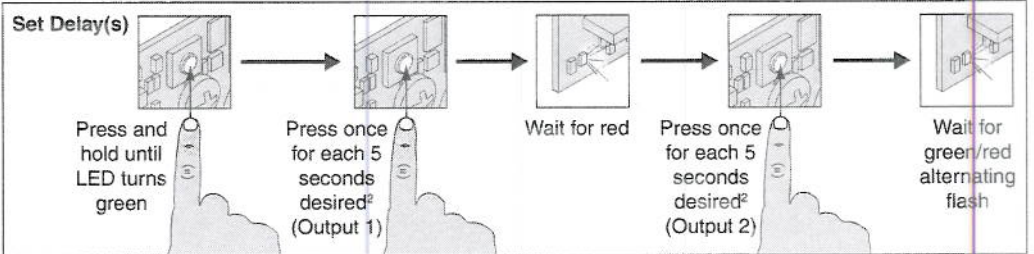
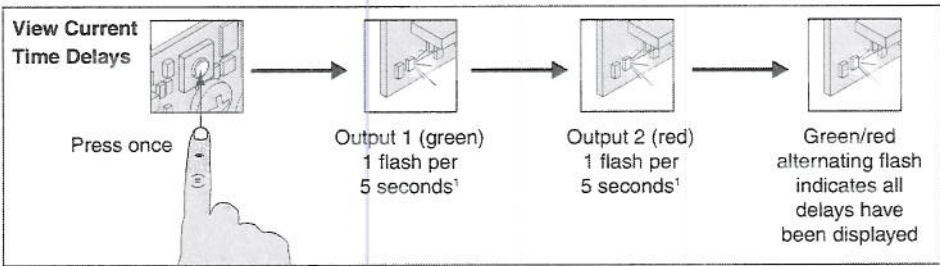
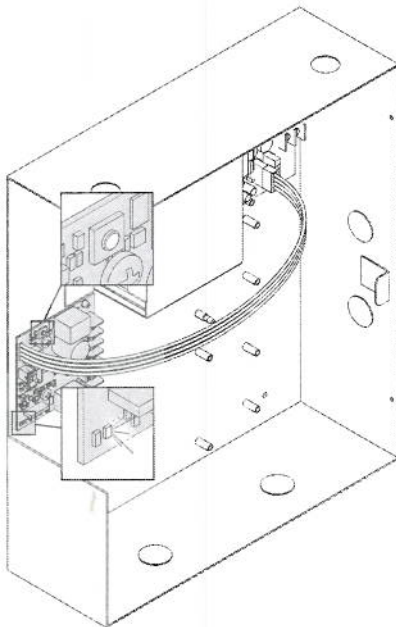


Individual Mode - Typical Wiring



5 APPLY POWER TO POWER SUPPLY. IF 900-BB IS USED, THEN RECONNECT BATTERIES

6 SET TIME DELAYS ON 900-2Q BOARD



1. For example, 2 flashes = 10 seconds. If no delay has been set, no flashes will be displayed.
2. For example, 2 presses = 10 seconds. (Minimum time delay 5 seconds) (Maximum time delay 60 seconds) (Adjustable in 5 second increments)