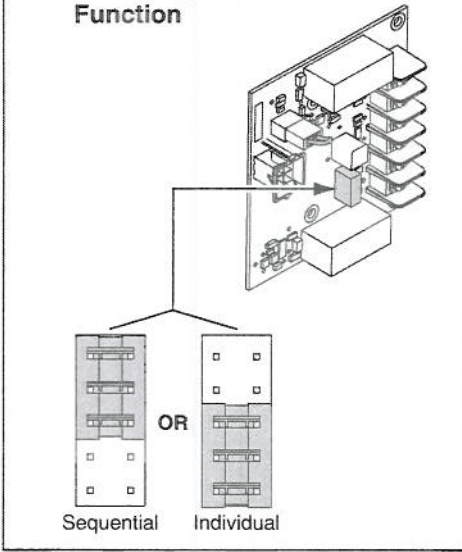


5 INSTALL 900-2RS OPTION BOARD (IF REQUIRED)

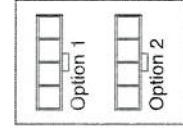
5a Use Jumper to Select Function



⚠ DANGER:

Ensure AC breaker is turned off when installing or wiring option boards

5b Plug 2RS Cable into any Available Option Connector



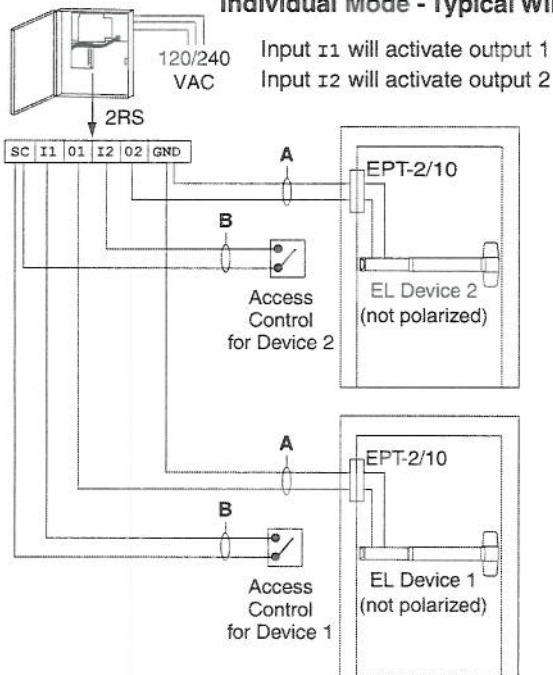
5c Secure Board with Screws

Note: 24VDC output setting required

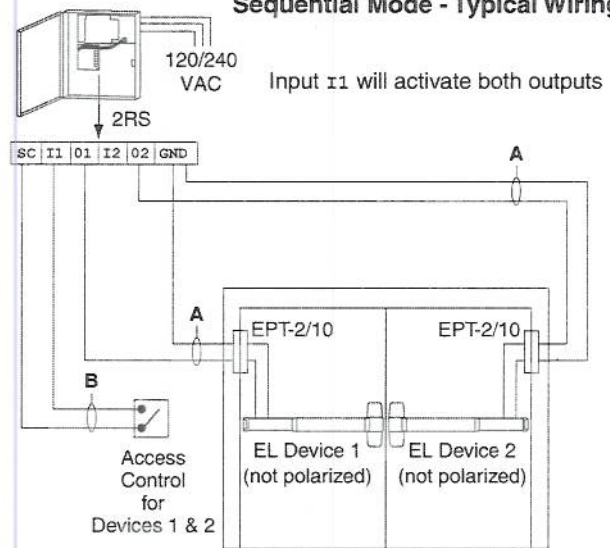
If installing board in location 2, rotate board 180°

6 CONNECT WIRING TO 900-2RS OPTION BOARD

Individual Mode - Typical Wiring



Sequential Mode - Typical Wiring



A	Using EL Device with EPT or Door Loop	0-100 ft	14 gauge
		0-200 ft	12 gauge
B	Access Control Dry Contact to I1 and I2 (access control, keypad, etc.)	0-75 ft	14 gauge
		0-150 ft	12 gauge

NOTE: WHEN INSTALLATION IS COMPLETE, SECURE ENCLOSURE DOOR WITH SCREWS OR KEYLOCK

7 IF PS-914 HAS OTHER OPTION BOARDS, SEE THEIR INSTRUCTIONS