



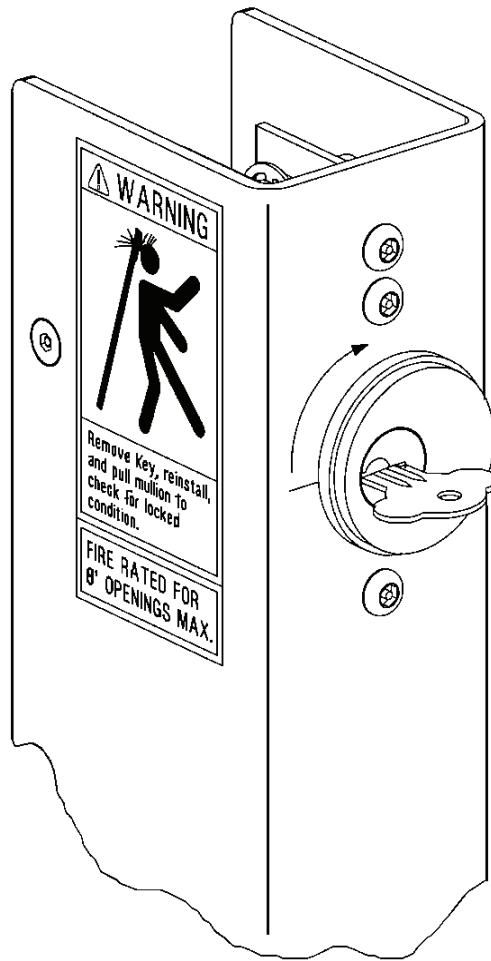
941061-00

Keyed Removable Mullion

KR54-F, KR9854 & KR9954

VON DUPRIN®

Installation Instructions



Read All Warnings Before Starting Installation!

Index:

• General Information -----	2
• Specifications -----	2
• Warnings -----	2
• Tools Needed -----	2
• Parts List -----	3
• Installation -----	4

GENERAL INFORMATION

These instructions are presented in step-by-step sequence as an aid to preparing for device mounting.

Please review the first two pages carefully which will help identify the hardware and define the terminology used throughout.

SPECIFICATIONS

Fire rated for 8' openings maximum.

Read All Warnings Before Starting Installation!



TOOLS NEEDED

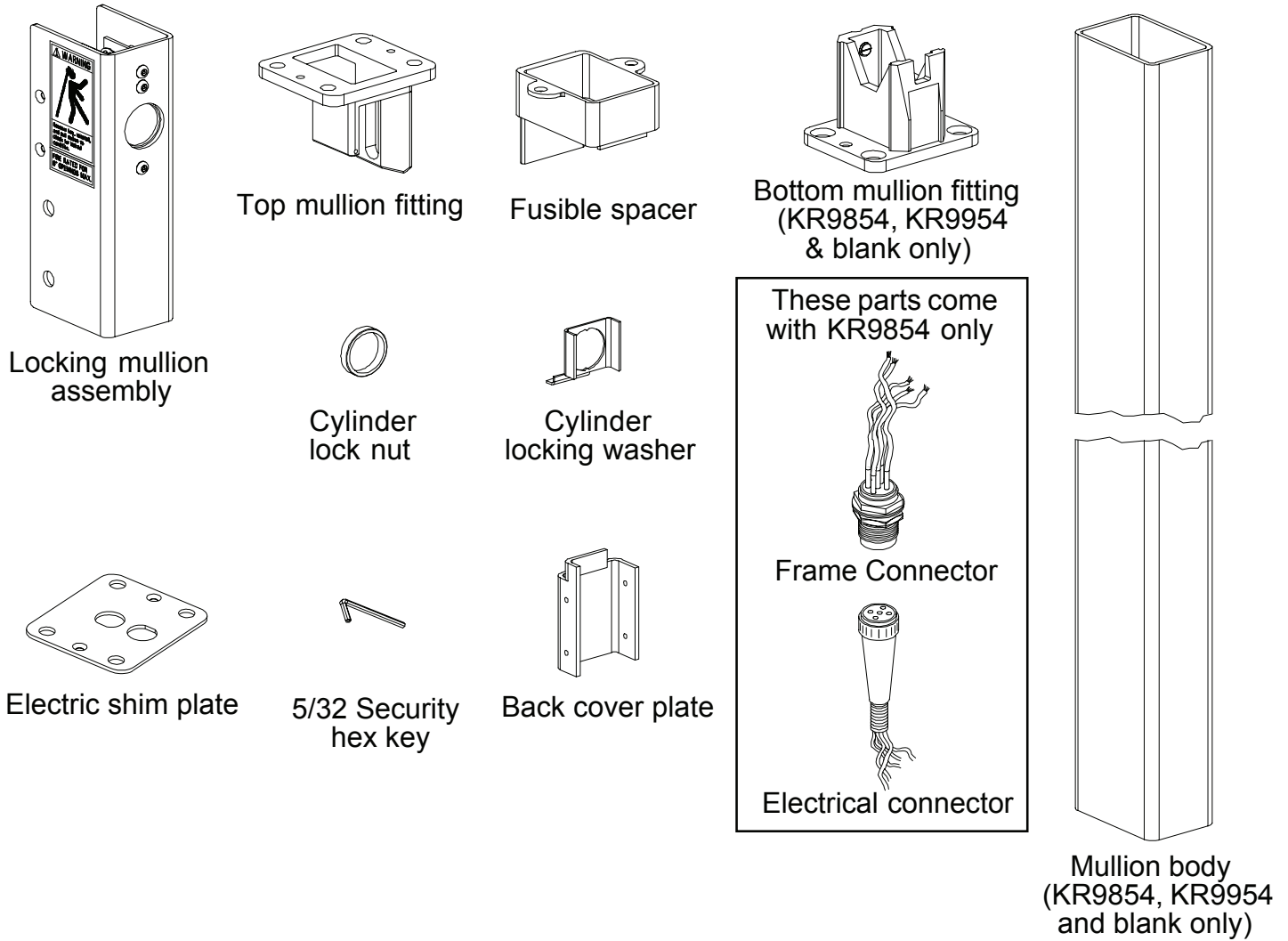
These are the necessary tools for installing an EPT into a factory-prepped door and frame.

Block wood
1/16" Allen wrench
Center Punch
Drill
11/32" Drill bit
13/32" Drill bit

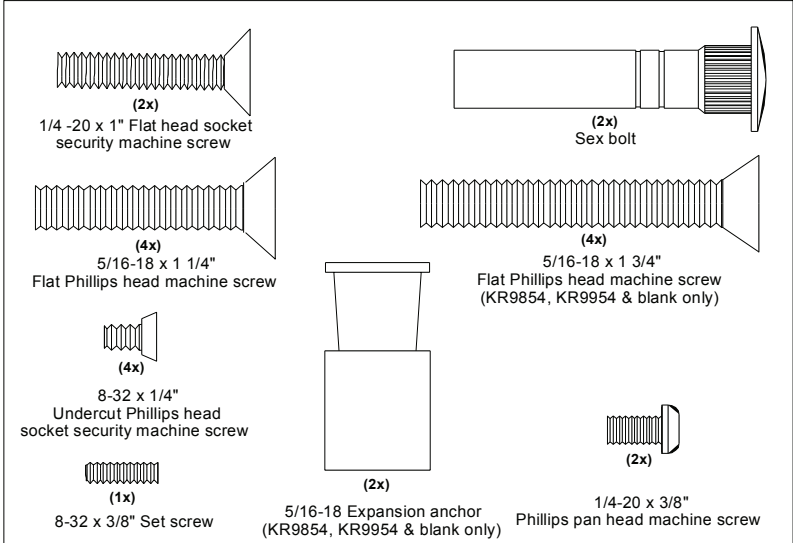
Phillips screwdriver
Straight-blade screwdriver
Hack saw
Hammer
Measuring tape
5/16" Tap

PARTS LIST

This kit contains the following parts (not to scale):



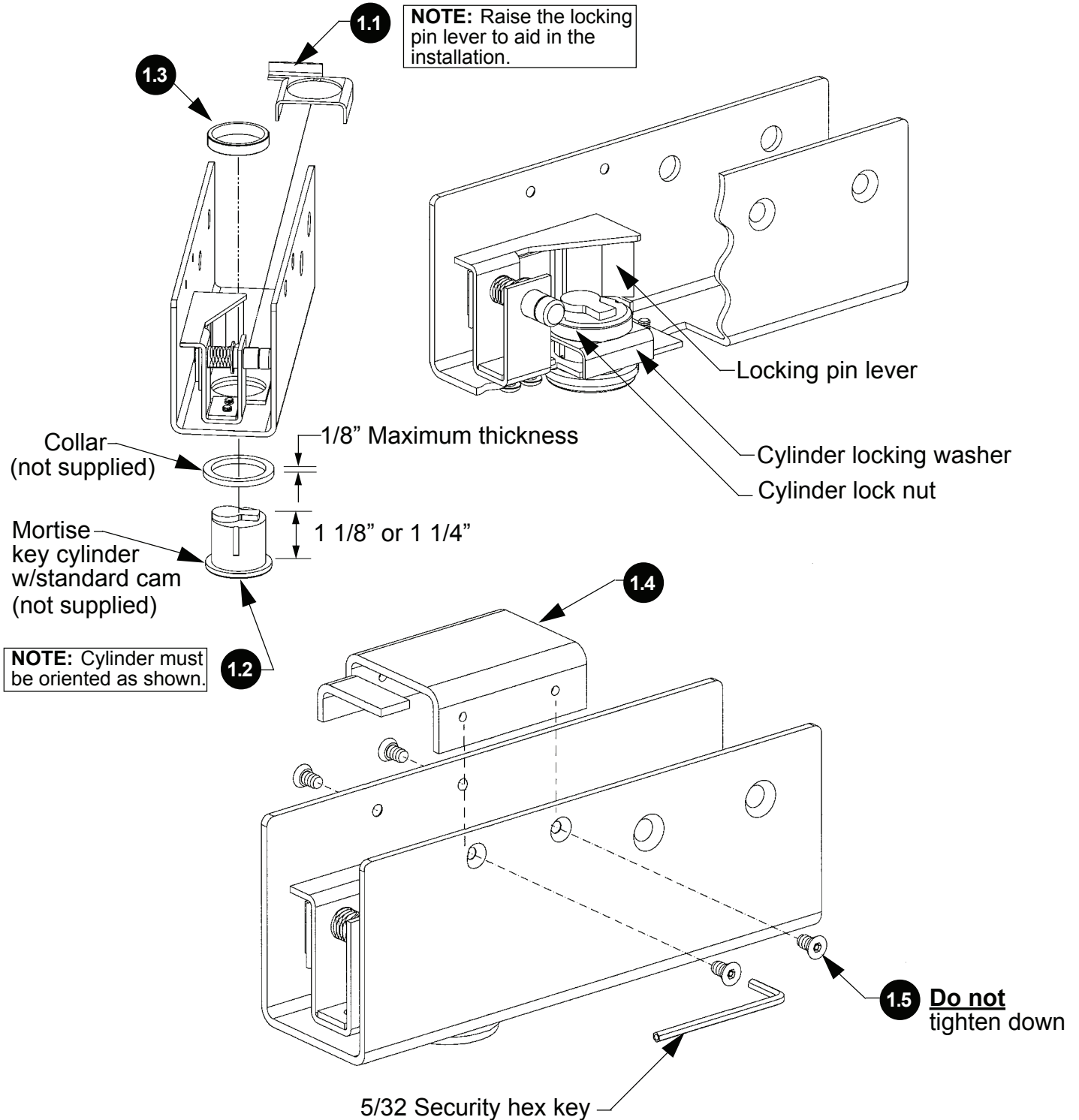
Screw Legend (to scale)



INSTALLATION

1 Prepare the keyed removable unit.

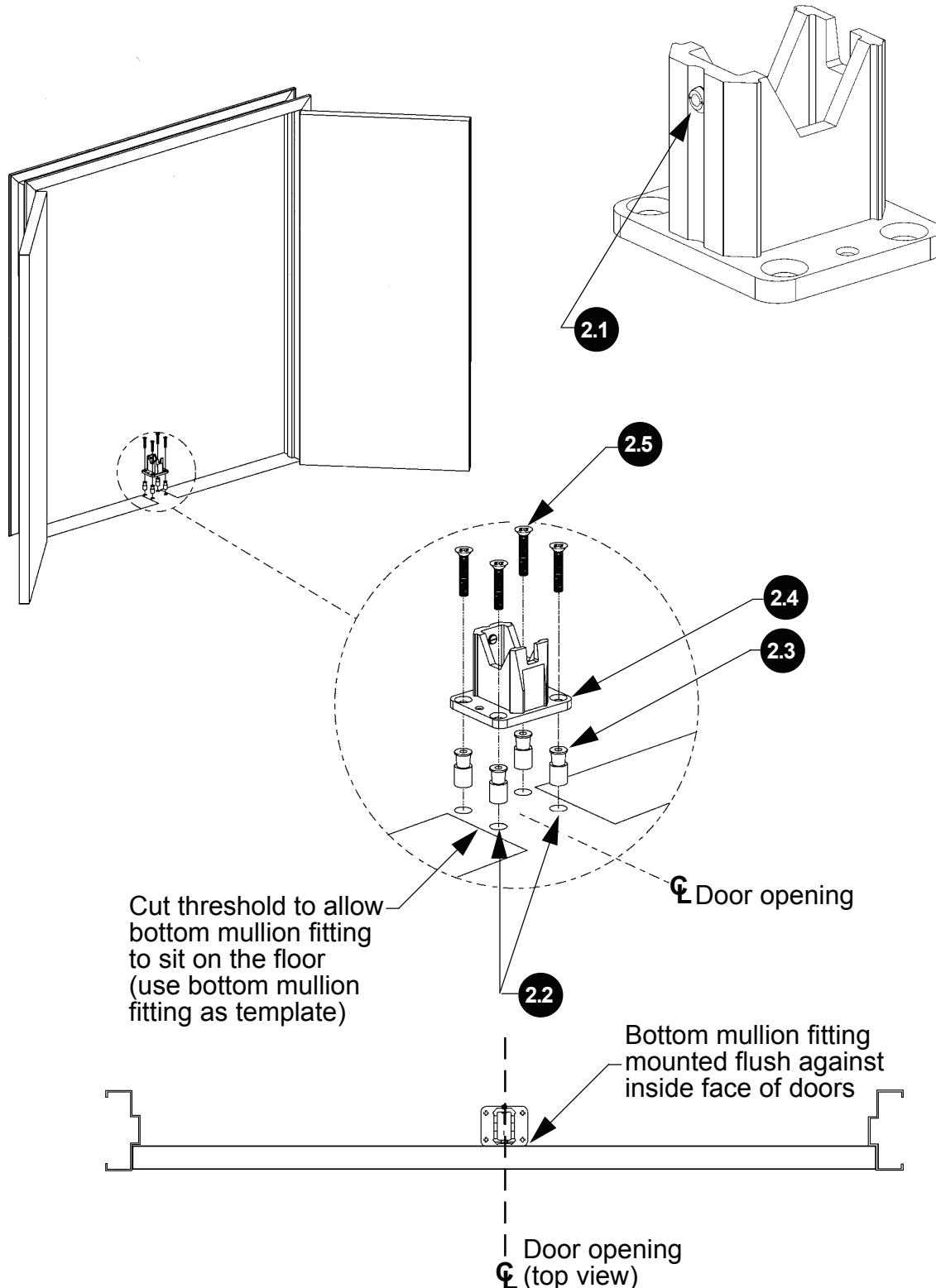
- 1.1 Position cylinder locking washer over mortise key cylinder hole.
- 1.2 Insert mortise key cylinder through collar and into hole.
- 1.3 Thread cylinder lock nut onto mortise key cylinder. Be sure to fasten down tight.
- 1.4 Position back cover plate.
- 1.5 Install screws. (8-32 x 1/4" undercut flat head socket machine security screw).
Do not tighten down.



2 Adjust and install bottom mullion fitting.

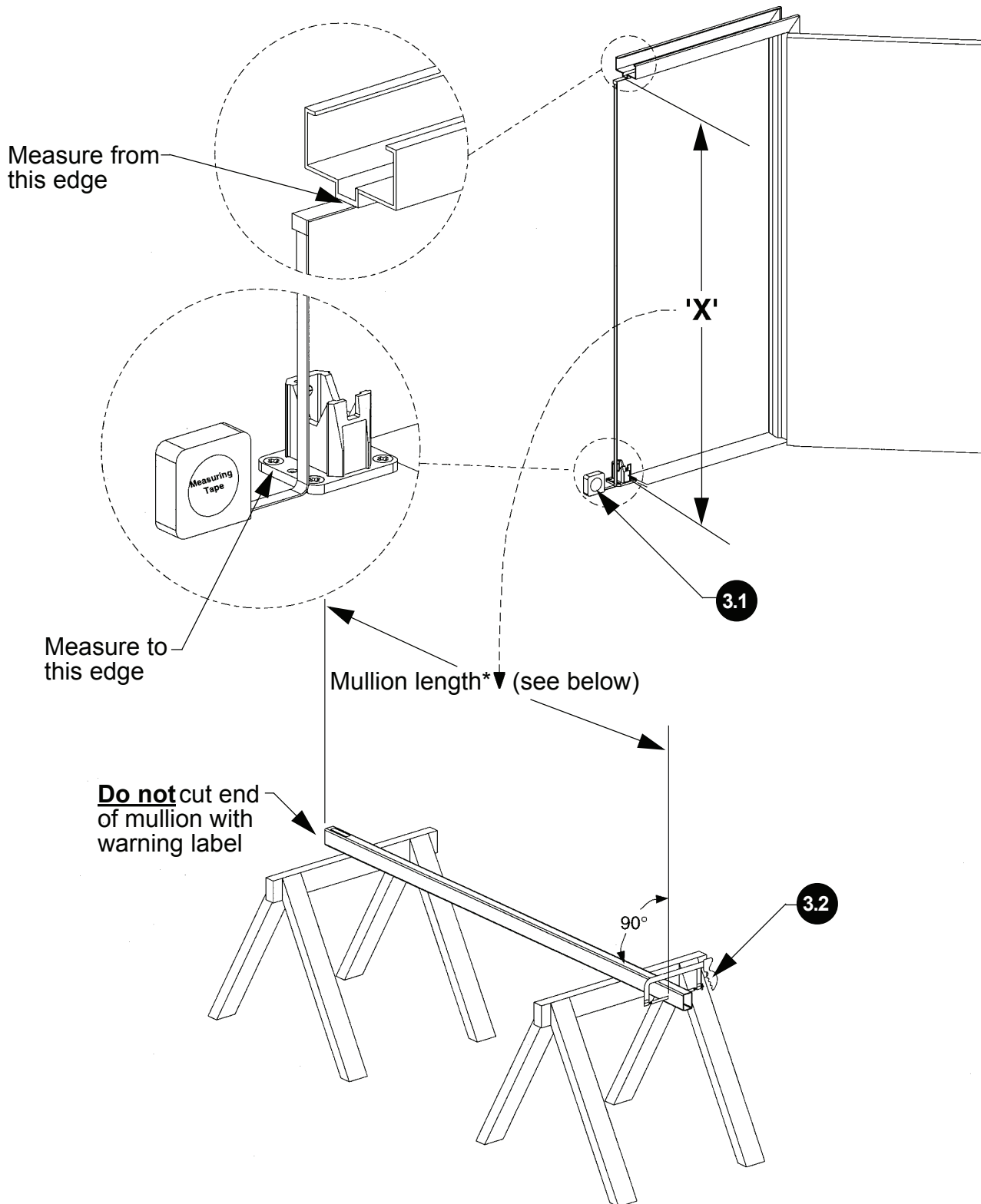
Note: If bottom mullion fitting already exists, go to Step 3.

- 2.1 Adjust ball plunger out until ball is compressed when fitting is engaged with mullion. Once adjusted properly, lock-tight in place.
- 2.2 Drill 5/8" diameter x 1 3/4" deep holes.
- 2.3 Install 5/16" x 18 expansion anchors.
- 2.4 Position bottom mullion fitting.
- 2.5 Install screws (5/16 - 18 x 1 3/4" flat Phillips head machine screw).



3 Size mullion.

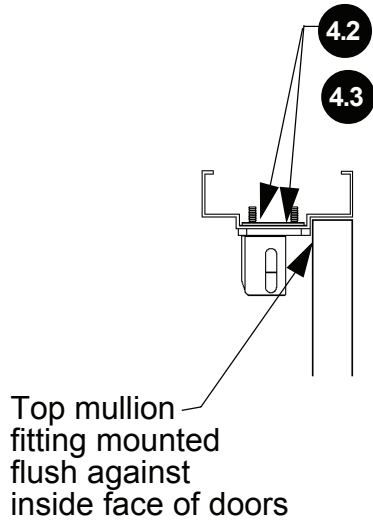
- 3.1 Measure distance from frame to bottom mullion fitting.
- 3.2 Determine mullion length using formula and cut. Remove all burrs and sharp edges.



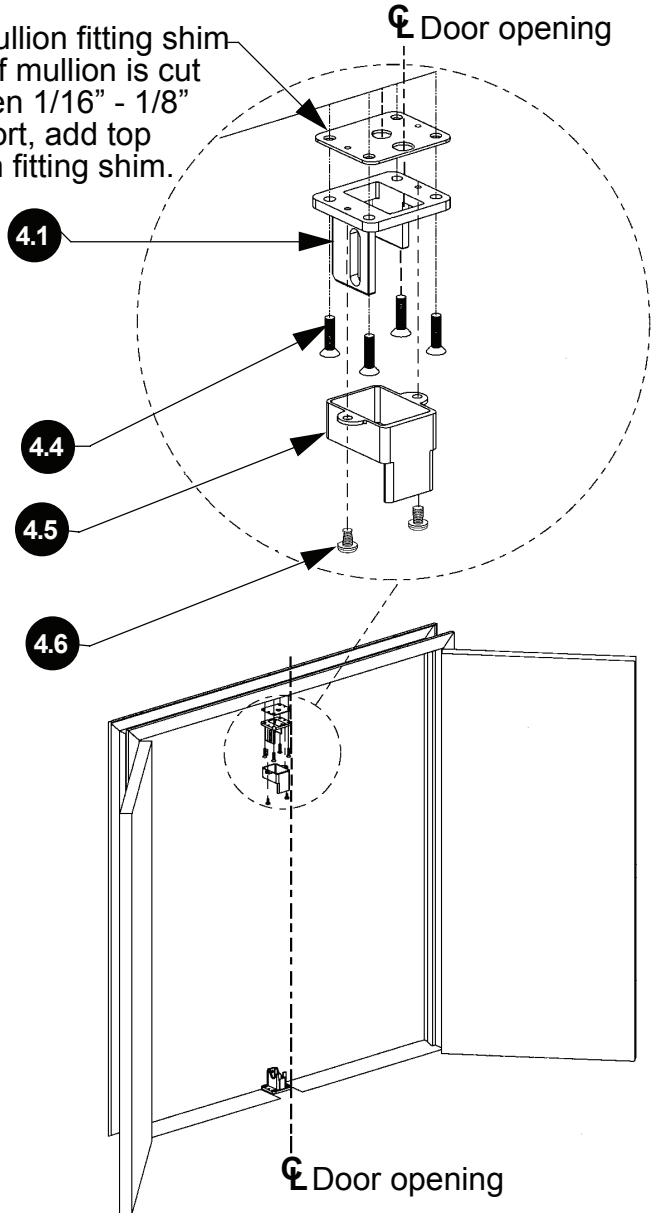
* Mullion length = 'X' less 5 11/16"
(for electric KR9854 mullion length = 'X' less 5 3/4")

4 Install top mullion fitting.

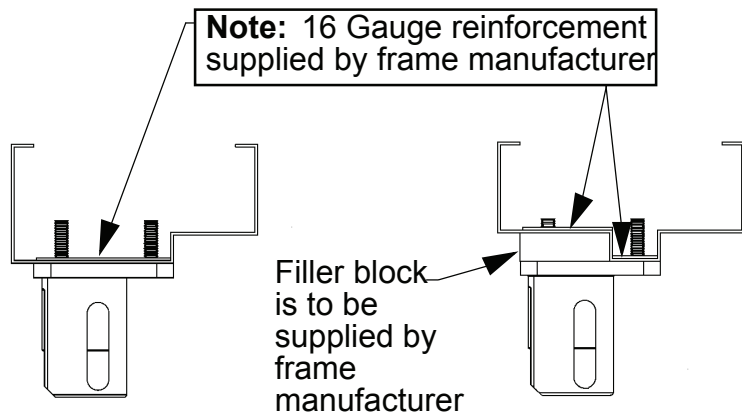
- 4.1 Position top mullion fitting.
- 4.2 Mark holes.
- 4.3 Drill and tap frame for 5/16 - 18 screws using top mullion fitting as template.
- 4.4 Install screws (5/16 - 18 x 1 1/4" flat Phillips head machine screw).
- 4.5 Position fusible spacer.
- 4.6 Install screws (1/4 - 20 x 3/8" Phillips pan head machine screw).



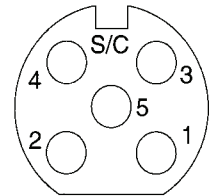
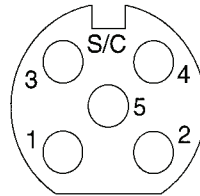
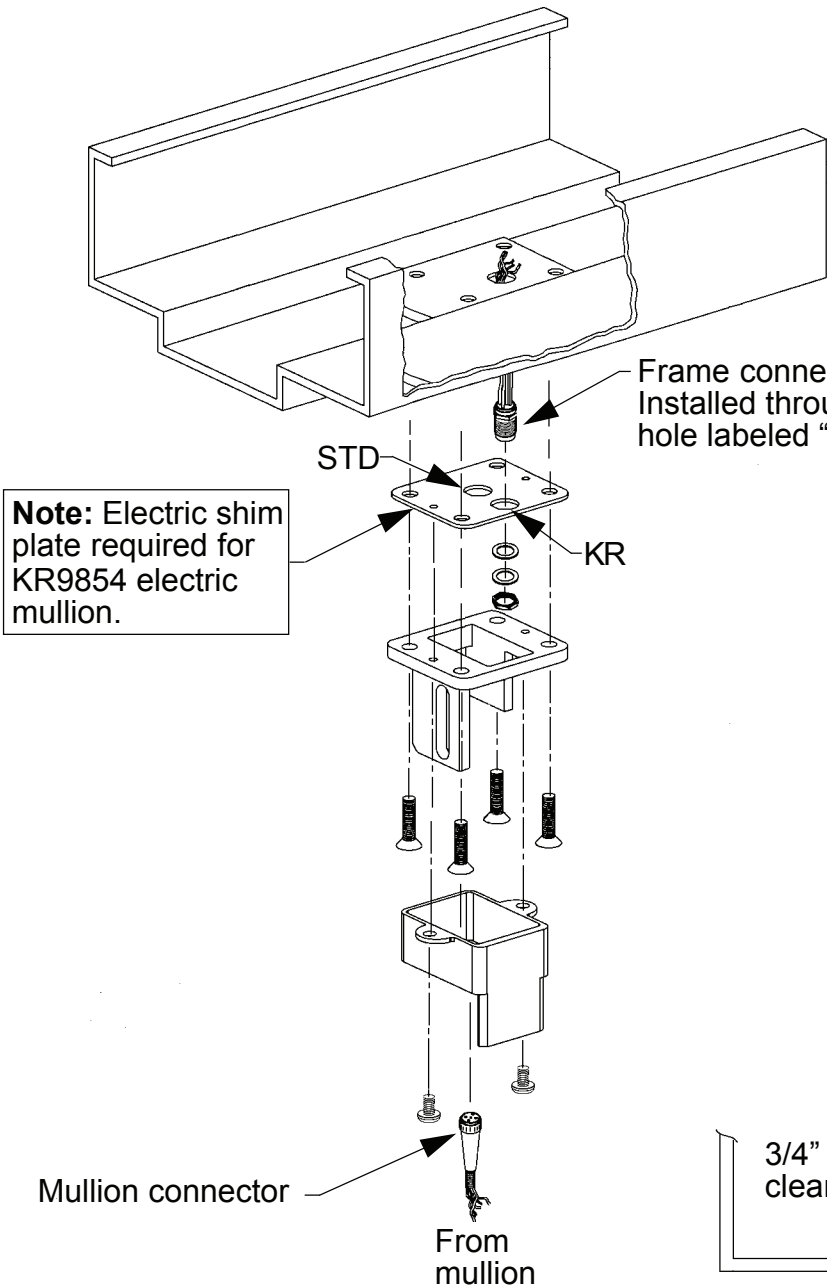
Top mullion fitting shim
Note: If mullion is cut between 1/16" - 1/8" too short, add top mullion fitting shim.



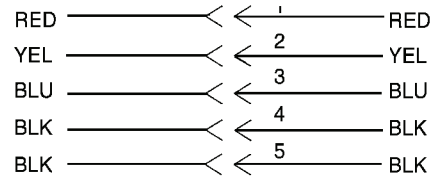
Mounting top mullion fitting on optional frame styles:



Note: KR9854 Electric Mullion installation only.

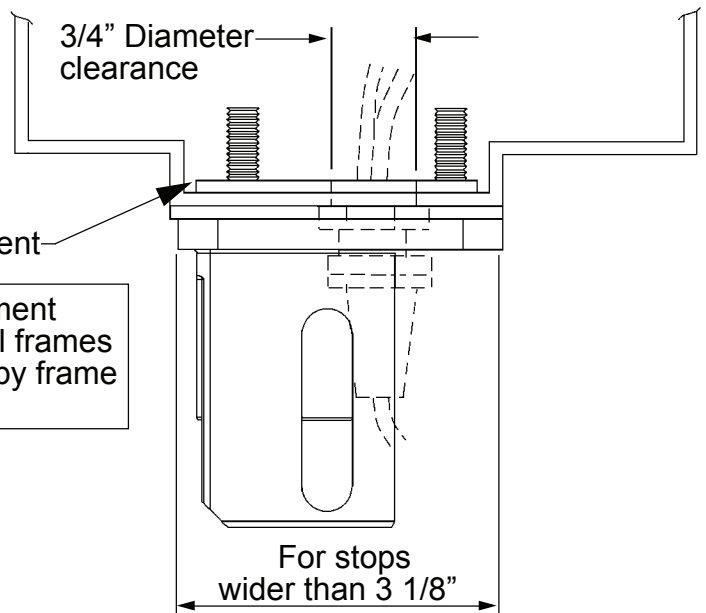


Mullion connector (Viewed from end) Frame connector (Viewed from end)



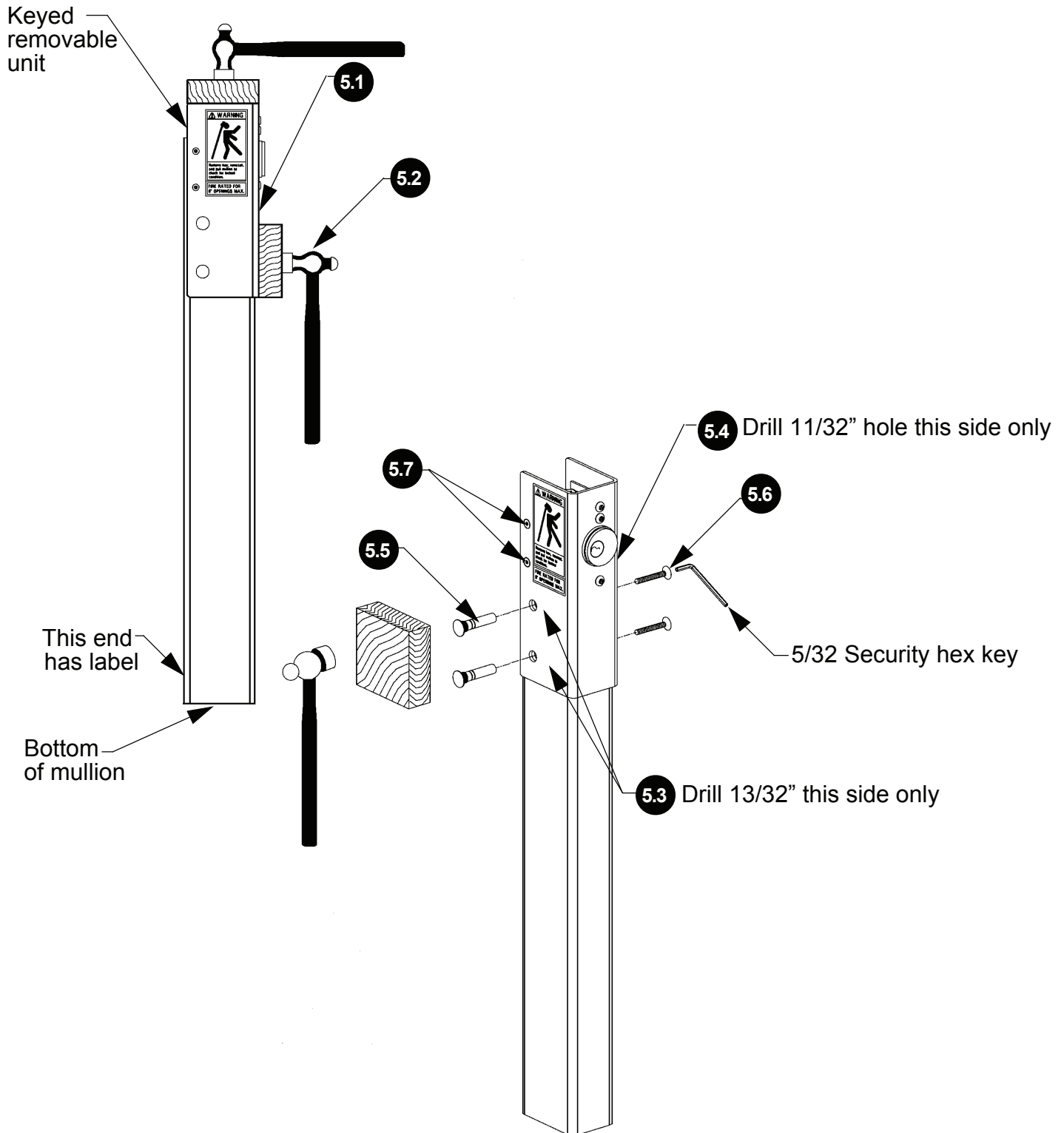
Wiring diagram

Note: Reinforcement for all sheet metal frames is to be supplied by frame manufacturer.



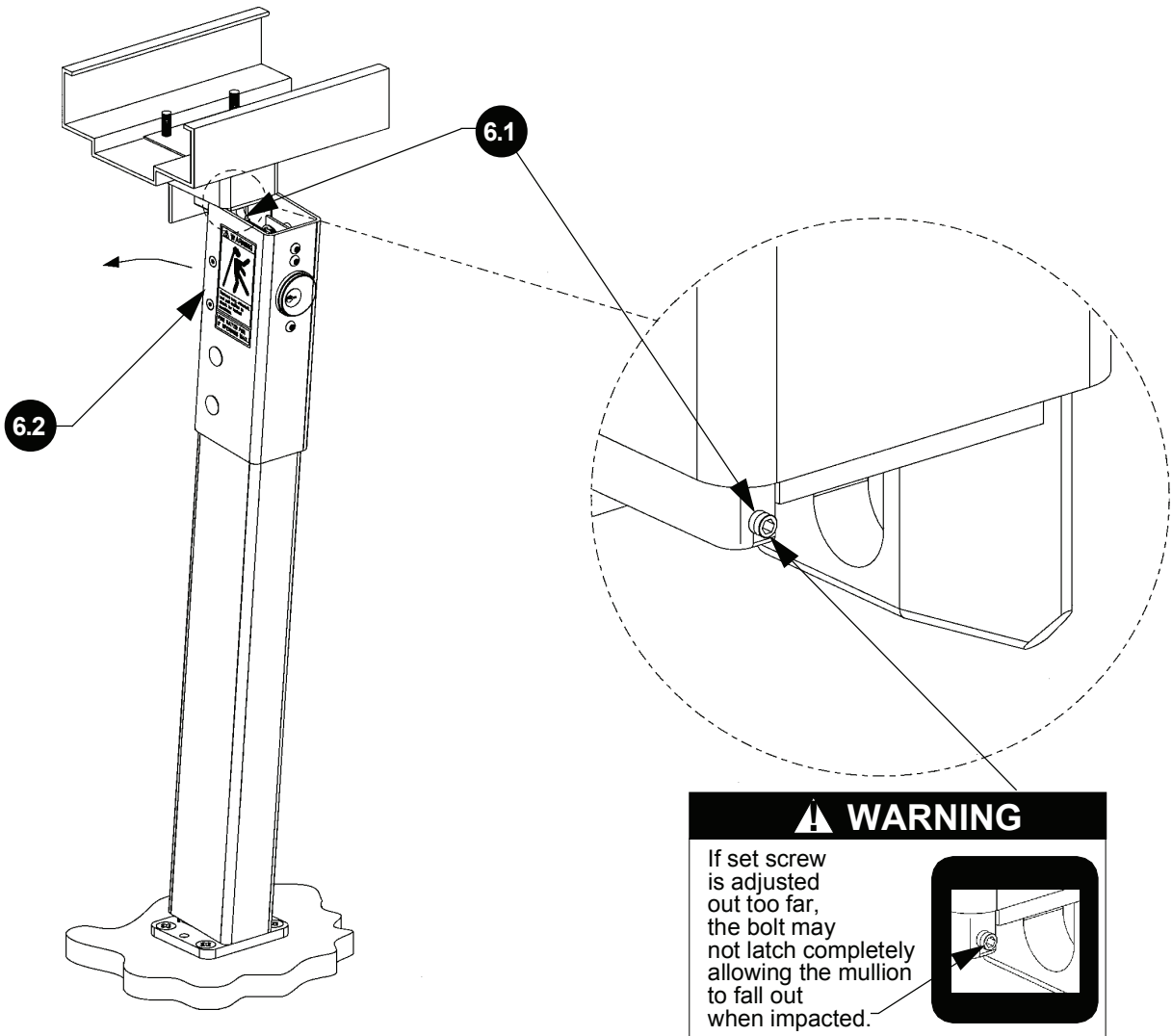
5 Attach keyed removable unit to mullion.

- 5.1 Position keyed removable unit onto top of mullion.
- 5.2 With a hammer and a block of wood, tap keyed removable unit snug against mullion.
- 5.3 Drill two 13/32" diameter holes using holes in unit as template.
- 5.4 Drill two) 11/32" diameter holes.
- 5.5 Install sex bolts by tapping into hole with a hammer and a block of wood.
- 5.6 Install screws (1/4 - 20 x 1" flat head socket security machine screw).
- 5.7 Tighten down screws (4 places).

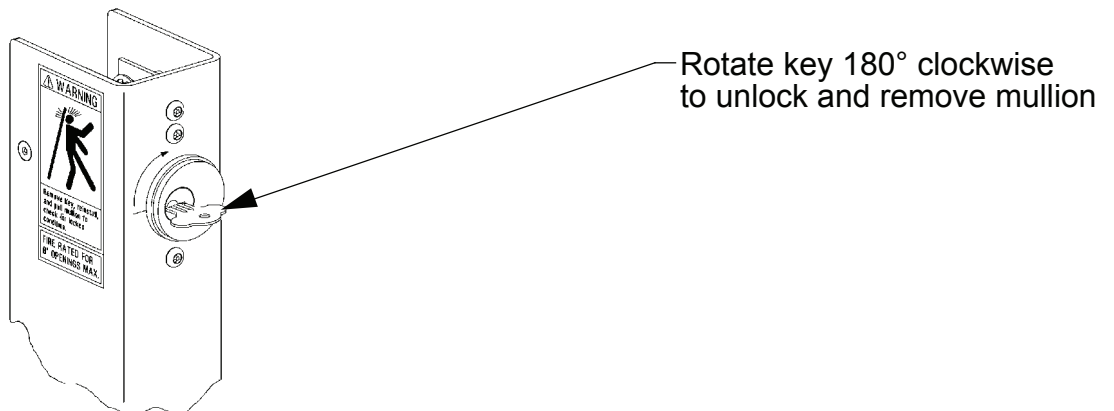


6 Final installation and adjustment.

- 6.1 Install screw (8 - 32 x 3/8" set screw) until flush with face of top mullion fitting.
- 6.2 Check for tightness of mullion by pushing and/or pulling on mullion. To tighten, remove mullion (see Step 7) and rotate set screw out 1/2 turn. Repeat this procedure until desired tightness is reached.



7 Operation.



Customer Service

1-877-671-7011 www.allegion.com/us



© Allegion 2014
Printed in U.S.A.
941061-00 Rev. 01/14-b